
项目名称

2045 分销版

版本号

V6.0 (hepa 变更)

设计时间

2021/06/25

物料名称

说明书

设计师

胡祖军

审核



批准



料号

05-2045-125-05-000

材质工艺要求:

材质: 封面: 157g金东太空梭哑粉纸, 单面过油;
内页: 68g晨鸣云镜;

颜色及专色: PANTONE Gray Cool 11 C

尺寸要求: 180*120MM

注: 此页面非印刷内容

- For further information, please go to www.mi.com
Manufactured for: Xiaomi Communications Co., Ltd.
Manufactured by: Dreame (Tianjin) Information Technology Co., Ltd.
(a Mi Ecosystem company)
Address: Room 2112-1-1, South District, Finance and Trade Center, No.6975 Yazhou Road, Dongjiang Bonded Port Area, Tianjin Pilot Free Trade Zone, Tianjin, China
- Para más información, visite la página web www.mi.com.
Fabricado para: Xiaomi Communications Co., Ltd.
Fabricado por: Dreame (Tianjin) Information Technology Co., Ltd.
(una compañía de Mi Ecosystem)
Dirección: Room 2112-1-1, South District, Finance and Trade Center, No.6975 Yazhou Road, Dongjiang Bonded Port Area, Tianjin Pilot Free Trade Zone, Tianjin, China
- Per ulteriori informazioni, visitare il sito www.mi.com
Fabbricato per: Xiaomi Communications Co., Ltd.
Fabbricato da: Dreame (Tianjin) Information Technology Co., Ltd.
(una società Mi Ecosystem)
Indirizzo: Room 2112-1-1, South District, Finance and Trade Center, No.6975 Yazhou Road, Dongjiang Bonded Port Area, Tianjin Pilot Free Trade Zone, Tianjin, Cina
- Pour en savoir plus, rendez-vous sur le site www.mi.com.
Fabriqué pour: Xiaomi Communications Co., Ltd.
Fabricant: Dreame (Tianjin) Information Technology Co., Ltd.
(une société Mi Ecosystem)
Adresse: Room 2112-1-1, South District, Finance and Trade Center, No.6975 Yazhou Road, Dongjiang Bonded Port Area, Tianjin Pilot Free Trade Zone, Tianjin, Chine
- Für weitere Informationen besuchen Sie bitte www.mi.com.
Hergestellt für: Xiaomi Communications Co., Ltd.
Hersteller: Dreame (Tianjin) Information Technology Co., Ltd.
(ein Unternehmen von Mi Ecosystem)
Adresse: Room 2112-1-1, South District, Finance and Trade Center, No.6975 Yazhou Road, Dongjiang Bonded Port Area, Tianjin Pilot Free Trade Zone, Tianjin, China
- Дополнительную информацию см. на веб-сайте www.mi.com.
Изготовлено для: Сяоми Техкоммуникации Ко., Лтд. (Китай)
Изготовитель: Dreame (Tianjin) Information Technology Co., Ltd.
(компания Mi Ecosystem)
Адрес: Room 2112-1-1, South District, Finance and Trade Center, No.6975 Yazhou Road, Dongjiang Bonded Port Area, Tianjin Pilot Free Trade Zone, Tianjin, China (Тяньцзинь, Китай)
- 詳細については、www.mi.com をご覧ください。
販売元：Xiaomi Communications Co., Ltd.
製造元：Dreame (Tianjin) Information Technology Co., Ltd.
(Mi Ecosystem 企業)
所在地：Room 2112-1-1, South District, Finance and Trade Center, No.6975 Yazhou Road, Dongjiang Bonded Port Area, Tianjin Pilot Free Trade Zone, Tianjin, China
- A/S 가 필요하시면 구매처나 현지 공식 A/S 센터로 연락하거나 www.mi.com/kr/ 에 방문하여 확인하십시오.
의뢰업체 : Xiaomi Communications Co., Ltd.
제조업체 : Dreame (Tianjin) Information Technology Co., Ltd.
(Mi 에코시스템 컴퍼니)
주소 : Room 2112-1-1, South District, Finance and Trade Center, No.6975 Yazhou Road, Dongjiang Bonded Port Area, Tianjin Pilot Free Trade Zone, Tianjin, China

Mi Vacuum Cleaner G9 User Manual · 01

Manual de usuario de Mi Vacuum Cleaner G9 · 25

Manuale utente Mi Vacuum Cleaner G9 · 49

Manuel d'utilisation de Mi Vacuum Cleaner G9 · 73

Mi Handstaubsauger G9 Benutzerhandbuch · 97

Руководство пользователя Пылесоса Mi G9 · 121

Mi ハンディクリーナー G9 取扱説明書 · 145

Mi 무선청소기 G9 사용 설명서 · 169



Made in China



Safety Instructions

This product is for household use only. Read this manual carefully before use, and retain it for future reference.

This appliance can be used by children aged from 8 years and above and persons with reduced physical, sensory or mental capabilities or lack of experience and knowledge if they have been given supervision or instruction concerning use of the appliance in a safe way and understand the hazards involved. Children shall not play with the appliance. Cleaning and user maintenance shall not be made by children without supervision.

The appliance is only to be used with the power supply unit provided with the appliance.

The vacuum cleaner is not a toy. Children may not play with or operate this product. Please exercise caution when using the vacuum cleaner near children. Do not allow children to clean or maintain the vacuum cleaner unless supervised by a parent or guardian.

Only use the vacuum cleaner on dry indoor surfaces. Do not install, charge, or use this product outdoors, such as in bathrooms, or near a pool.

Do not touch the plug or any part of the vacuum cleaner with wet hands.

To reduce the risk of fire, explosion, or personal injury, check to make sure the lithium-ion battery and charger are undamaged before use. Do not use the vacuum cleaner if either the battery or charger is damaged.

The high torque brush bar, mini electric brush, battery, extension rod, and the vacuum cleaner are electrically conductive and should not be immersed in water or other liquid. Make sure all parts are thoroughly dry after you carry out cleaning on them.

To prevent injury caused by moving parts, turn off the vacuum cleaner before cleaning the high torque brush bar and mini electric brush. The high torque brush bar, dust compartment, and filter must all be properly installed before using the vacuum cleaner.

Safety Instructions

Only use the BLJ24W308080P-V battery charger provided with the appliance.

Only use the P2045-7S1P-BC/P2045-7S1P-BCA/P2045-7S1P-BCB/P2046-7S1P-BC/P2046-7S1P-BCA battery pack.

If the charger or battery becomes damaged, it must be replaced with a genuine component purchased from the manufacturer or after-sales service department.

Do not use the vacuum cleaner to pick up flammable or combustible liquids, such as gasoline, bleach, ammonia, or drain cleaners; nor other liquids like water.

Do not use the vacuum cleaner to pick up drywall particles, ashes like fireplace ash, or smoking or burning materials such as coal, cigarette butts or matches.

Do not use the vacuum cleaner to pick up sharp or hard objects, such as glass, nails, screws, or coins, which may damage the product.

Keep hair, loose clothing, fingers, and other parts of the body away from the vacuum cleaner's openings and moving parts. Do not point the suction opening, extension rod, or other accessories at your eyes or ears or put them in your mouth.

Do not put any object into the vacuum cleaner's openings, nor use the vacuum cleaner with any opening blocked. Keep free of dust, lint, hair, or other items which may reduce airflow.

Do not rest the vacuum cleaner against a chair, table, or other unstable surfaces, as this may cause damage to the product or personal injury. If the vacuum cleaner malfunctions because of being knocked over or damaged, please contact the authorized service department. Never attempt to disassemble the vacuum cleaner on your own.

Only use the original charger to charge the product in environments with an ambient temperature of 0°C to 40°C. Otherwise, the battery may damage.

The dust compartment cover, pre-filter, cyclone assembly, and filter must all be properly installed prior to using the vacuum cleaner.

Make sure the vacuum cleaner is unplugged when not used for extended periods as well as prior to performing any maintenance or repairs.

Please be extra careful when using the vacuum cleaner to clean stairs.

Fire Hazard Warning: Do not apply any type of fragrance to the vacuum cleaner's filter. These types of products are known to contain flammable chemicals which may cause the vacuum cleaner to catch fire.

When battery is not in use, keep it away from all metal objects, such as paper clips, coins, keys, nails, or screws. Shorting the battery terminals together increases the risk of fire or burns.

Under abusive conditions, liquid may be ejected from the battery. Avoid contacting with liquid, as it may cause irritation or burns. If contact occurs, flush with water. If liquid contacts eyes, seek medical help.

DO NOT expose the battery and appliance to fire as it may cause explosion.

DO NOT expose or submerge the battery and appliance in any water, salt water, or other liquids.

Please strictly follow the instructions in this user manual when using the vacuum cleaner. Users are responsible for any loss or damage that may arise from improper use of the vacuum cleaner.

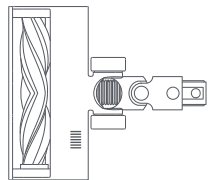
We Dreame (Tianjin) Information Technology Co., Ltd., hereby, declare that this equipment is in compliance with the applicable Directives and European Norms, and amendments. The full text of the EU declaration of conformity is available at the following internet address:

<http://www.mi.com/global/service/support/declaration.html>

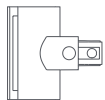
For detailed e-manual, please go to www.mi.com/global/service/userguide

Product Overview

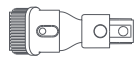
Accessories List



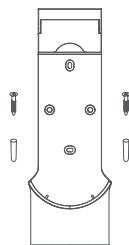
High Torque Brush Bar



Mini Electric Brush



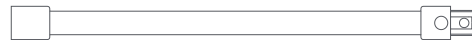
2-in-1 Brush Nozzle



2-in-1 Charging & Storage Mount
(includes screw × 2, wall plug × 2, and mounting template sticker)



Crevice Nozzle



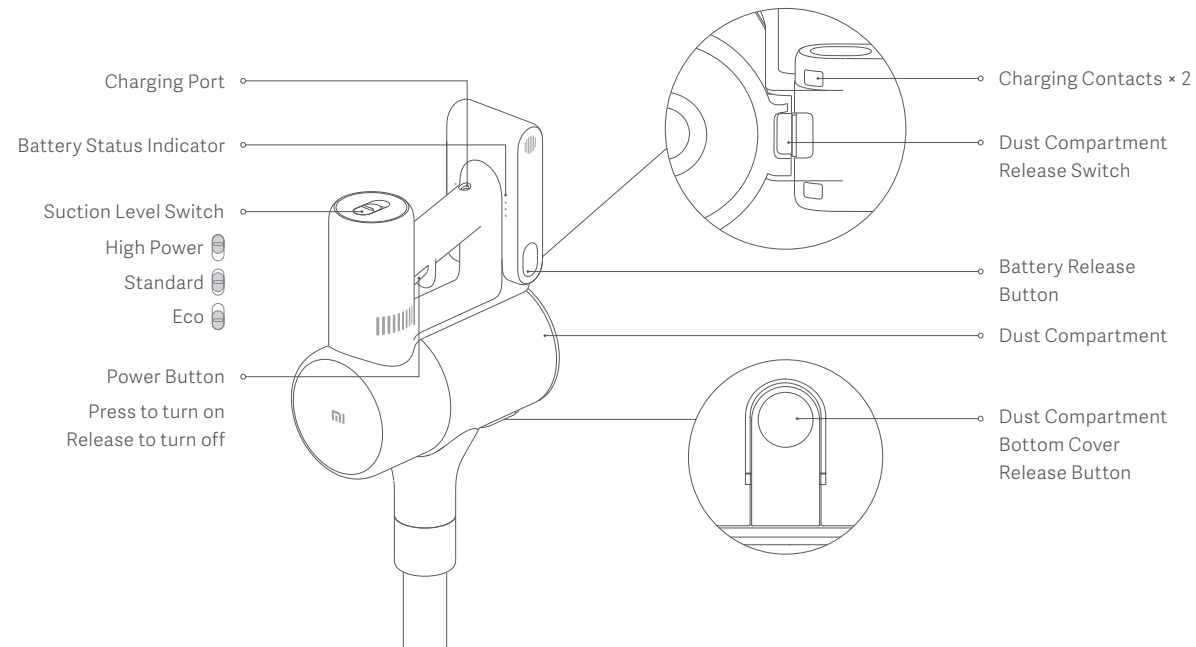
Extension Rod



Charger

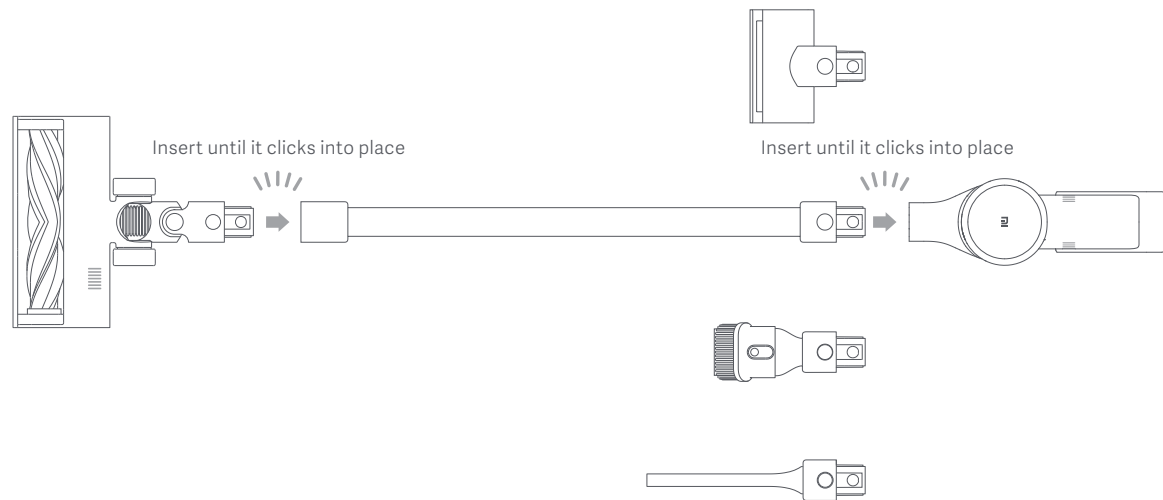
Note: Illustrations of product, accessories, and user interface in the user manual are for reference purposes only. Actual product and functions may vary due to product enhancements.

Component Name



How to Install

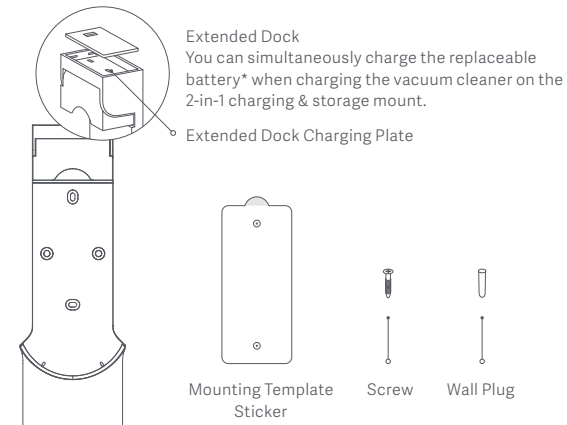
Installing the Accessories onto the Vacuum Cleaner



Note: Mini electric brush should not be used with the extension rod.

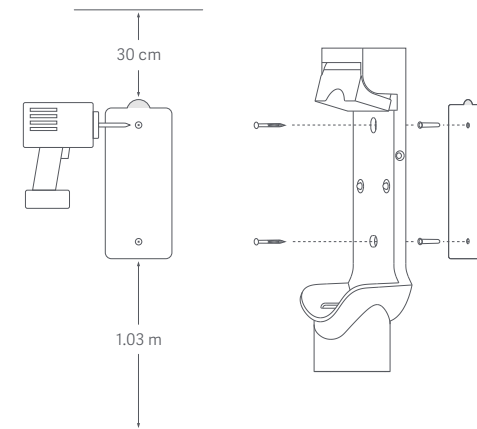
Installing the 2-in-1 Charging & Storage Mount

1. The 2-in-1 charging & storage mount should be installed in a cool, dry place with an electrical outlet nearby. Prior to installing, ensure that there are not any wires or pipes in the space directly behind where the mount will be installed.
2. The bottom of the mounting template sticker should be level and at least 1.03 m from the ground, and its top should have at least 30 cm of clearance above it.



* The replaceable battery is not included and purchased separately.

3. Use a power drill with an 8 mm drill bit to drill a hole into each hole marker on the mounting template sticker, then insert a wall plug into each hole.
4. Align the mounting holes on the 2-in-1 charging & storage mount to the holes on the wall, then attach the mount to the wall using the included screws.



Recommended Height: At least 1.03 meters from the ground

Charging

Battery Status Indicator

○ Off ⚡ Blinking ● On

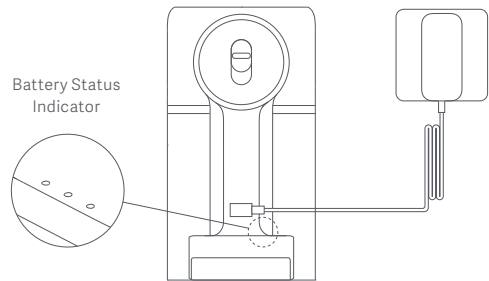
⚡ ○ ○ Low battery

● ⚡ ○ Half battery

● ● ⚡ Nearly full

● ● ● Fully charged

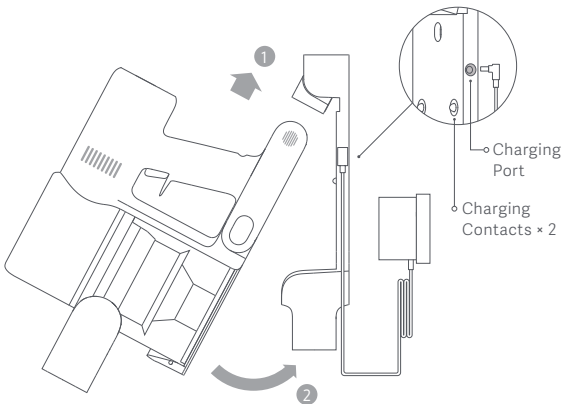
Once the vacuum cleaner is fully charged, the indicator will turn off after 5 minutes, and the vacuum cleaner will then enter the energy-saving mode.



Charging the vacuum cleaner with the charger

Notes:

- Fully charge the vacuum cleaner before using it for the first time. This will take about 3.5 hours.
- The vacuum cleaner cannot be used while charging.
- Vacuuming at the highest suction level for a prolonged period will cause the battery to heat up, which may increase the charging time. Before charging the vacuum cleaner, it is better to cool it down for 30 minutes.

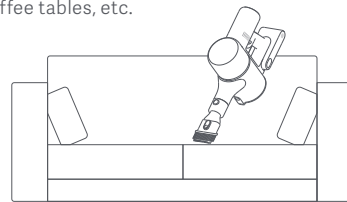


Charging the vacuum cleaner on the charging mount

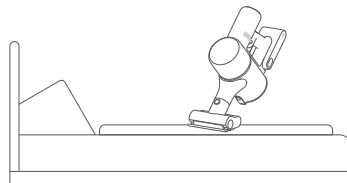
How to Use

Using Different Accessories

2-in-1 Brush Nozzle: For vacuuming curtains, sofas, vehicle interiors, coffee tables, etc.



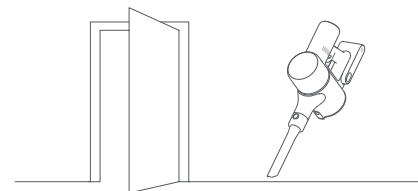
Mini Electric Brush: For vacuuming dirt, pet hair, and other stubborn debris from sofas, bedding, and other fabric surfaces.



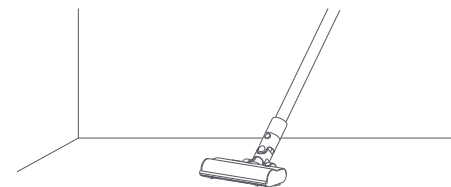
Notes:

- If any rotating part becomes stuck, the vacuum cleaner may shut off automatically. Remove any trapped foreign objects, then resume use.
- When the motor runs overheated, the vacuum cleaner will automatically shut off. Wait until the battery temperature returns to normal, then resume use.

Crevice Nozzle: For vacuuming narrow crevices and areas around doors, windows, baseboards, corners, stairs, etc.



High Torque Brush Bar: For cleaning different types of flooring such as wood, marble, tile, and carpet.



Note:

- The high torque brush bar can be attached directly to the vacuum cleaner.

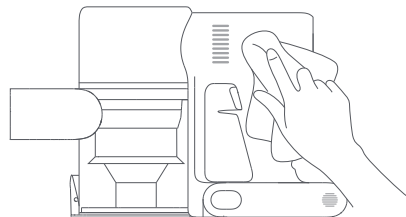
Care & Maintenance

Maintenance Precautions

- Always use genuine parts to keep your warranty from being voided.
- If the filter, extension rod, or high torque brush bar becomes clogged, the vacuum cleaner will stop working shortly. To restore its functionality, clean the clogged component.
- If the vacuum cleaner will not be used for an extended period, fully charge it and disconnect it from the power then store it in a cool, low-humidity environment away from direct sunlight. To avoid over-discharging the battery, recharge the vacuum cleaner at least once every three months.

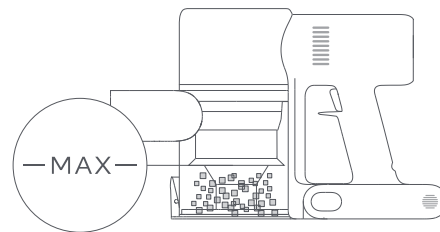
Cleaning the Vacuum Cleaner

Wipe the vacuum cleaner with a soft, dry cloth.

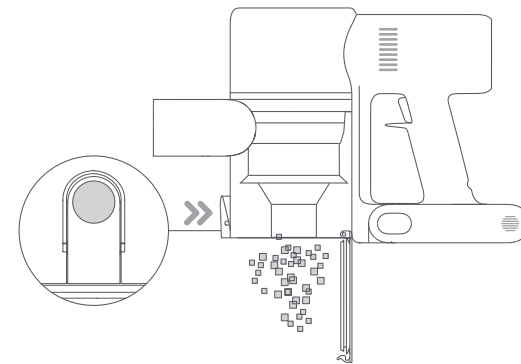


Cleaning the Dust Compartment, Pre-filter, and Cyclone Assembly

1. The vacuum cleaner's cleaning ability will be reduced if the dust compartment is filled to the "MAX" mark. To regain performance, empty the dust compartment in a timely manner. Before emptying the compartment, make sure the vacuum cleaner is disconnected from the power, and do not press its power button.

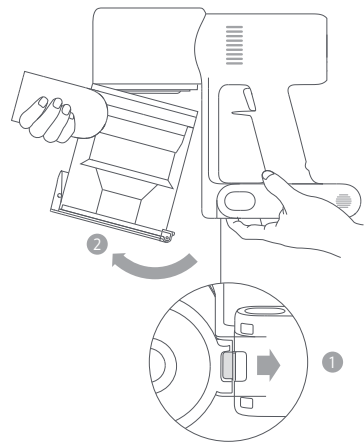


2. Press the dust compartment bottom cover release button, then empty the contents.



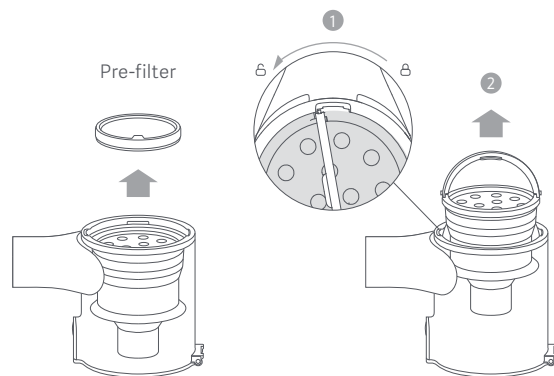
Care & Maintenance

3. Push the dust compartment release switch in the direction indicated by the arrow, then gently remove the dust compartment from the vacuum cleaner.

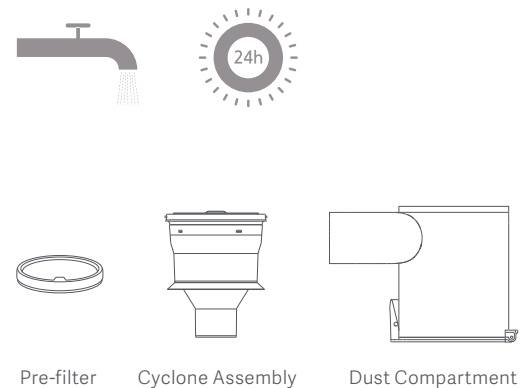


Dust Compartment Release Switch

4. Remove the pre-filter first, then lift the handle of the cyclone assembly and turn to counterclockwise until it stops, then pull to lift out the cyclone assembly.



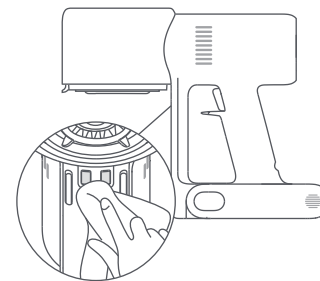
5. Rinse the pre-filter, cyclone assembly, and dust compartment with water until they are clean, then set each component aside to thoroughly dry for at least 24 hours.



Notes:

- The dust compartment should be rinsed out at least once a month.
- The pre-filter and cyclone assembly should be cleaned once every 3 to 4 months.

6. Wipe the contact points of the vacuum cleaner with a soft dry cloth if they are dirty.



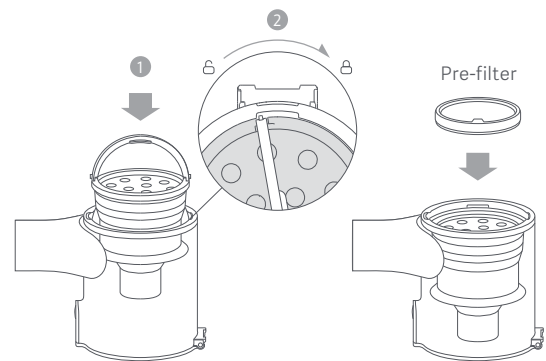
Notes:

- Do not use detergents, polishes, or air fresheners to clean the dust compartment.
- Do not clean the dust compartment, pre-filter, or cyclone assembly in a dishwasher or washing machine, nor attempt to dry any component in a tumble dryer, oven, microwave, or near an open fire.

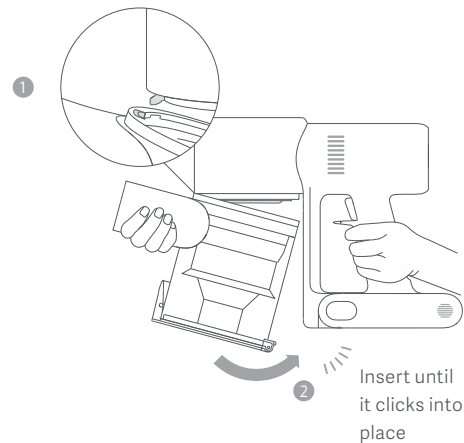
Care & Maintenance

Installing the Dust Compartment, Pre-filter, and Cyclone Assembly

1. Insert the cyclone assembly vertically into the dust compartment, and make sure that the handle of the cyclone assembly line up with the slot on the left side of the dust compartment. Turn the handle clockwise until it locks, then flip the handle down.
2. Place the pre-filter with its front side facing up into the cyclone assembly.



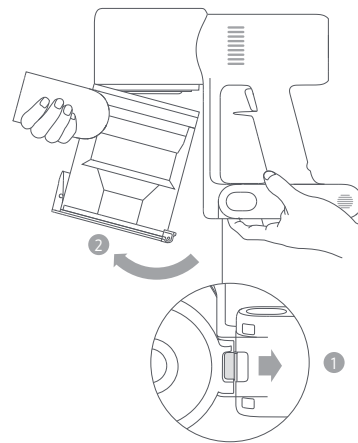
3. Slightly tilt the dust compartment so its slot aligns with the clip on the vacuum cleaner. Then gently push the dust compartment until it clicks into place.



Cleaning the Filter

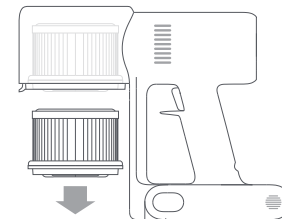
Note: It is recommended to clean the filter once every 4 to 6 months.

1. Remove the dust compartment as shown in the figure.



Dust Compartment Release Switch

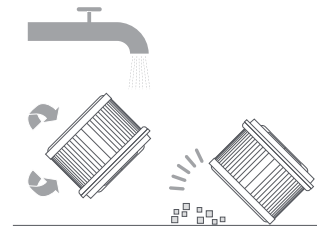
2. Remove the filter from the vacuum cleaner by pulling it down in the direction shown in the figure.



3. Clean the filter with clean water. Make sure you rotate the filter 360° to thoroughly remove all dust caught in the filter. Lightly tap the filter several times to remove any excess dirt.

Notes:

- Only use clean water to clean the filter. Do not use detergent.
- Do not attempt to clean the filter with a brush or finger.



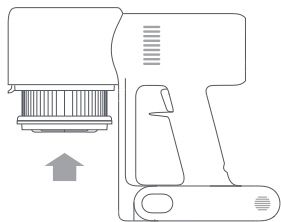
Care & Maintenance

4. Allow the filter to thoroughly dry for at least 24 hours.

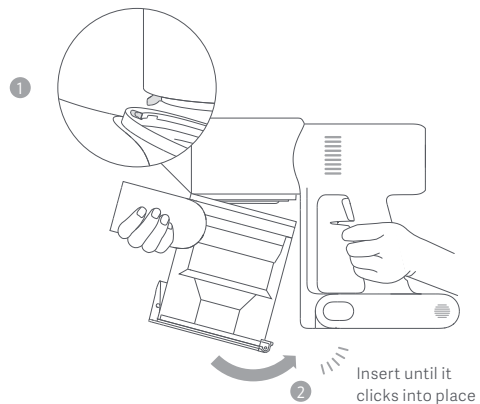


Installing the Filter

1. Insert the filter into the vacuum cleaner and gently press down, as illustrated.

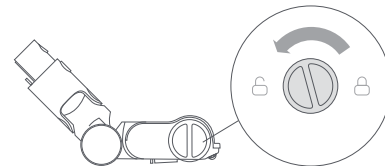


2. Reinstall the dust compartment.

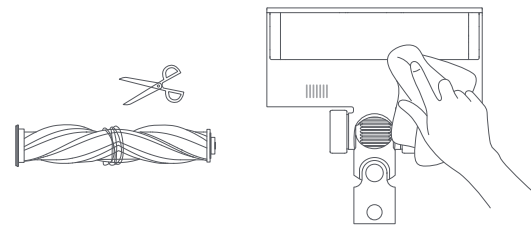


Cleaning the High Torque Brush Bar

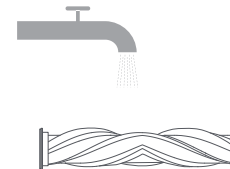
1. Turn the lock counterclockwise until it stops, then remove the roller brush from the high torque brush bar.



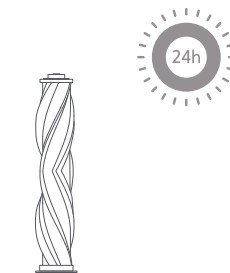
2. Use scissors to cut and pick out any hair or other debris tangled around the roller brush. Wipe away excess dust from the slot and clear plastic cover using a dry cloth or paper towel.



3. After extended use, the roller brush may become dirty and should be washed.



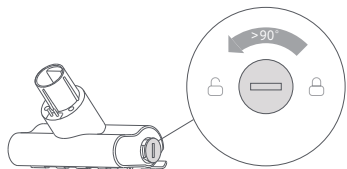
4. After washing, allow the roller brush to dry thoroughly by standing it upright in a well-ventilated area for at least 24 hours.



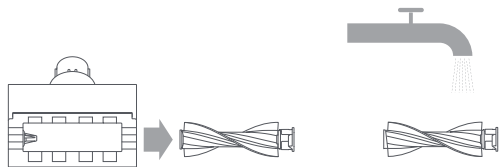
Care & Maintenance

Cleaning the Mini Electric Brush

1. Use a coin to turn the lock counterclockwise until you hear a click.



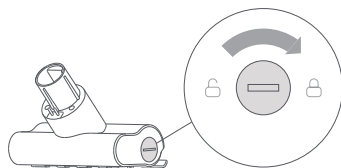
2. After unlocking the roller brush, remove it from the mini electric brush, then rinse and clean the roller brush.



3. After washing, allow the roller brush to dry thoroughly by standing it upright in a well-ventilated area for at least 24 hours.



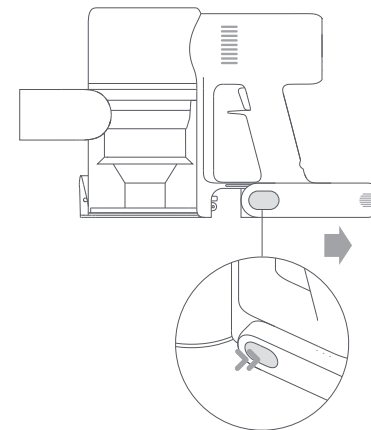
4. Once the roller brush is dry, reinstall it by following the disassembly steps in reverse.



Battery Pack

The vacuum cleaner contains a removable rechargeable lithium-ion battery pack which has a limited number of recharge cycles. After extended use, the battery pack may no longer hold a charge. If this happens, it means the battery pack has reached the end of its life cycle and needs to be replaced.

1. Press down the battery pack release button and slide the battery pack to the right, as illustrated, to remove it.
2. Install the new battery pack.



Specifications

Cordless Vacuum Cleaner			
Model	MJSCXCQ1T	Rated Voltage	25.2 V ===
Charging Voltage	30.8 V ===	Nominal Capacity	2500 mAh
Rated Power	400 W	Dust Compartment Capacity	Max. 0.6 L
Charging Time	Approx. 3.5 hours	Net Weight	3.8 kg
Item Dimensions	1286 × 214 × 256 mm		

High Torque Brush Bar		Mini Electric Brush	
Model	G9-01	Model	1C-02
Rated Power	40 W	Rated Power	20 W
Rated Voltage	25.2 V ===	Rated Voltage	25.2 V ===

Charger			
Manufactured by	Zhongshan Baolijin Electronic Co., Ltd.	Average Active Efficiency	87.5%
Model	BLJ24W308080P-V	Efficiency at Low Load (10%)	77.9%
Input	100–240 V~ 50/60 Hz 0.8 A	No-load Power Consumption	0.10 W
Output	30.8 V === 0.8 A 24.6 W		

Rechargeable Lithium-ion Battery Pack			
Battery Model	P2045-7S1P-BC/P2045-7S1P-BCA/P2045-7S1P-BCB	Nominal Capacity	2500 mAh
Nominal Voltage	25.2 V ===	Rated Capacity	2400 mAh
Energy	60.48 Wh		

The lithium-ion battery pack contains substances that are hazardous to the environment. Before disposing of the vacuum cleaner, please first remove the battery pack, then discard, or recycle it in accordance with local laws and regulations of the country or region it is used in.

WEEE Information

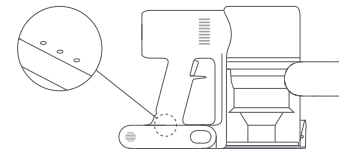


All products bearing this symbol are waste electrical and electronic equipment (WEEE as in directive 2012/19/EU) which should not be mixed with unsorted household waste. Instead, you should protect human health and the environment by handing over your waste equipment to a designated collection point for the recycling of waste electrical and electronic equipment, appointed by the government or local authorities. Correct disposal and recycling will help prevent potential negative consequences to the environment and human health. Please contact the installer or local authorities for more information about the location as well as terms and conditions of such collection points.

Error	Possible Cause	Solution
The vacuum cleaner does not work.	It is out of battery or has low battery.	Fully charge the vacuum cleaner, then resume use.
	It enters into overheat protection mode triggered by a blockage.	Wait until the vacuum cleaner cools down, then reactivate it.
	Its suction opening or airway passage is blocked.	Clear any blockages from suction opening or airway passage.
The suction power reduces.	The dust compartment is full and/or the filter is clogged.	Empty the dust compartment and clean the filter.
	The high torque brush bar and/or the extension rod are blocked.	Clear any blockages from the high torque brush bar and/or the extension rod.
The motor makes a strange noise.	The main suction opening or the extension rod is blocked.	Clear any blockages in the main suction opening or the extension rod.
The first indicator is red after turning on the vacuum cleaner.	Battery pack is damaged.	Please contact after-sales service to arrange maintenance.
The first indicator blinks red when charging the vacuum cleaner.	The charger is incompatible.	Only use the original charger to charge the vacuum cleaner.
The battery indicator does not light up while charging.	The charger is not connected to the vacuum cleaner.	Make sure the charger is plugged in correctly.
	The battery is fully charged and went into sleep mode.	The vacuum cleaner can be used normally.
	If the problem still persists after ruling out the above two possibilities, please contact after-sales service for help.	
The battery charges slowly.	The battery temperature is too low or too high.	Wait until the battery temperature normalizes, then resume use.

Error Description of Battery Status Indicator

The vacuum cleaner will stop working if any error occurs, and the indicator will blink white. Please refer to the information below for your solution.



Vacuum Cleaner Status	Indicator Status	Indicator Description	Possible Cause	Solution
Vacuum cleaner stops working suddenly.		The first indicator blinks white for 5 seconds, then goes off.	Battery Depleted	Recharge soon.
		The first and second indicators blink white for 5 seconds simultaneously, then go off.	Roller Brush Stuck	Refer to "Cleaning the High Torque Brush Bar" in the Care & Maintenance section for directions on how to remove hair and other debris caught in the roller brush.
		All of the three indicators blink white for 5 seconds simultaneously, then go off.	Airway Blocked	Check if any blockages caught in the dust compartment, extension rod, and/or high torque brush bar.

Instrucciones de seguridad

Este producto es exclusivo para uso doméstico. Lea detenidamente este manual antes de usar el producto y consérvelo para futuras consultas.

Este aparato puede ser utilizado por niños de 8 años en adelante y por personas con capacidades sensoriales, mentales o físicas reducidas o con falta de experiencia, siempre y cuando estén bajo la supervisión de un adulto, se les hayan proporcionado instrucciones sobre el uso del producto y se les haya advertido de los riesgos implícitos. Los niños no deben jugar con el aparato. La limpieza y el mantenimiento por parte del usuario no deben realizarse por niños sin supervisión de un adulto.

El aparato sólo debe utilizarse con la fuente de alimentación suministrada con él.

La aspiradora no es un juguete. No deje que los niños jueguen con el producto ni lo utilicen. Tenga especial cuidado al utilizar la aspiradora cerca de niños. No deje que los niños limpien ni realicen tareas de mantenimiento en la aspiradora, a menos que estén supervisados por un adulto o tutor.

Utilice la aspiradora únicamente sobre superficies secas de interior. No monte, cargue ni utilice el producto en exteriores, cuartos de baño o cerca de piscinas.

No toque el enchufe ni ninguna otra parte de la aspiradora con las manos mojadas.

Para reducir los riesgos de incendio, explosión o lesión personal, compruebe que la batería de iones de litio y el cargador no presenten daños antes de usar el producto. No utilice la aspiradora si la batería o el cargador presenta algún daño.

La barra del cepillo de alto par, el minicepillo eléctrico, la batería, la varilla de extensión y la aspiradora son conductores eléctricos, por lo que no se deben sumergir en agua ni en ningún líquido. Asegúrese de que todas las piezas están completamente secas después de limpiarlas.

Para evitar lesiones provocadas por piezas móviles, apague la aspiradora antes de limpiar la barra del cepillo de alto par y el minicepillo eléctrico. La barra del cepillo de alto par, el compartimento para el polvo y el filtro deben estar bien instalados antes de usar la aspiradora.

Utilice únicamente el cargador original (modelo: BLJ24W308080P-V) que viene con este producto.

Instrucciones de seguridad

Utilice únicamente el tipo de batería aprobado (modelo P2045-7S1P-BC/P2045-7S1P-BCA/P2045-7S1P-BCB/P2046-7S1P-BC/P2046-7S1P-BCA).

No hacerlo, podría provocar que la batería de ion de litio se incendie.

Si se daña el cargador o la batería, deberá reemplazarlos por un recambio original del fabricante o del departamento del servicio posventa.

No utilice la aspiradora para recoger líquidos inflamables o combustibles, como gasolina, lejía, amoníaco o limpiadores de desagüe; ni otros líquidos, como el agua.

No utilice la aspiradora para recoger partículas de yeso, cenizas (como las de la chimenea) o materiales humeantes o combustibles (como carbón, colillas de cigarrillos o cerillas).

No utilice la aspiradora para recoger objetos afilados o duros, como vidrio, clavos, tornillos o monedas, que puedan dañar el producto.

Mantenga el cabello, la ropa suelta, los dedos y todas las partes del cuerpo lejos de las aberturas y las partes móviles de la aspiradora. No apunte la abertura de succión, la varilla de extensión ni ningún otro accesorio a sus ojos u oídos, ni se los ponga en la boca.

No meta ningún objeto en las aberturas de la aspiradora, ni utilice la aspiradora en caso de que tenga alguna abertura bloqueada. Mantenga el producto libre de polvo, pelusas, pelos y otros elementos, ya que podrían reducir el flujo de aire.

No apoye la aspiradora en sillas, mesas ni en superficies poco estables ya que se podría dañar el producto o provocar lesiones personales. Si la aspiradora no funciona correctamente debido a que se ha caído o dañado, póngase en contacto con el departamento de servicio técnico autorizado. No intente desmontar la aspiradora por su cuenta.

Utilice únicamente el cargador original para cargar el producto en entornos con una temperatura ambiente de entre 0 y 40 °C. De lo contrario, la batería podría sufrir daños.

La tapa del compartimento para el polvo, el prefiltro, el ciclón y el filtro deben estar bien instalados

antes de usar la aspiradora.

Asegúrese de que la aspiradora esté desconectada cuando no se utilice durante períodos prolongados, así como antes de realizar cualquier tipo de mantenimiento o reparación.

Tenga especial cuidado al usar la aspiradora para limpiar escaleras.

Advertencia sobre peligros de incendio: No aplique ningún tipo de fragancia al filtro de la aspiradora. Se sabe que estos tipos de productos contienen productos químicos inflamables que pueden hacer que la aspiradora se incendie.

Cuando la batería no esté en uso, manténgala alejada de objetos metálicos como sujetapapeles, monedas, llaves, clavos o tornillos. Cortocircuitar los terminales de la batería aumenta los riesgos de incendio o de sufrir quemaduras.

En condiciones extremas, el líquido podría ser expulsado de la batería. Evite el contacto con líquidos, ya que podría provocar irritaciones o quemaduras. Si se produce un contacto, enjuague con agua. Si el líquido entra en contacto con los ojos, busque ayuda médica.

NO exponga la batería ni el aparato al fuego, ya que podría provocar una explosión.

NO exponga ni sumerja la batería ni el aparato en agua, agua salada ni otros líquidos.

Utilice este producto según las instrucciones del Manual del usuario. Los usuarios son responsables de cualquier pérdida o daño que surja por el uso incorrecto de este producto.

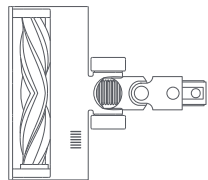
Nosotros, Dreame (Tianjin) Information Technology Co., Ltd., por la presente, declaramos que el equipo cumple con las Directivas y Normas Europeas aplicables y las enmiendas. Encontrará el texto completo de la declaración de conformidad de la UE en esta dirección de Internet:

<http://www.mi.com/global/service/support/declaration.html>

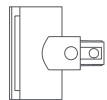
Para un manual electrónico detallado, vaya a www.mi.com/global/service/userguide

Descripción del producto

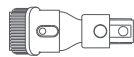
Lista de accesorios



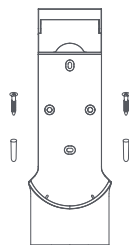
Barra del cepillo de alto par



Minicepillo eléctrico



Boquilla del cepillo 2 en 1



Soporte de carga y almacenamiento 2 en 1
(incluye 2 tornillos, 2 tacos y una plantilla de montaje adhesiva)



Boquilla para hendiduras



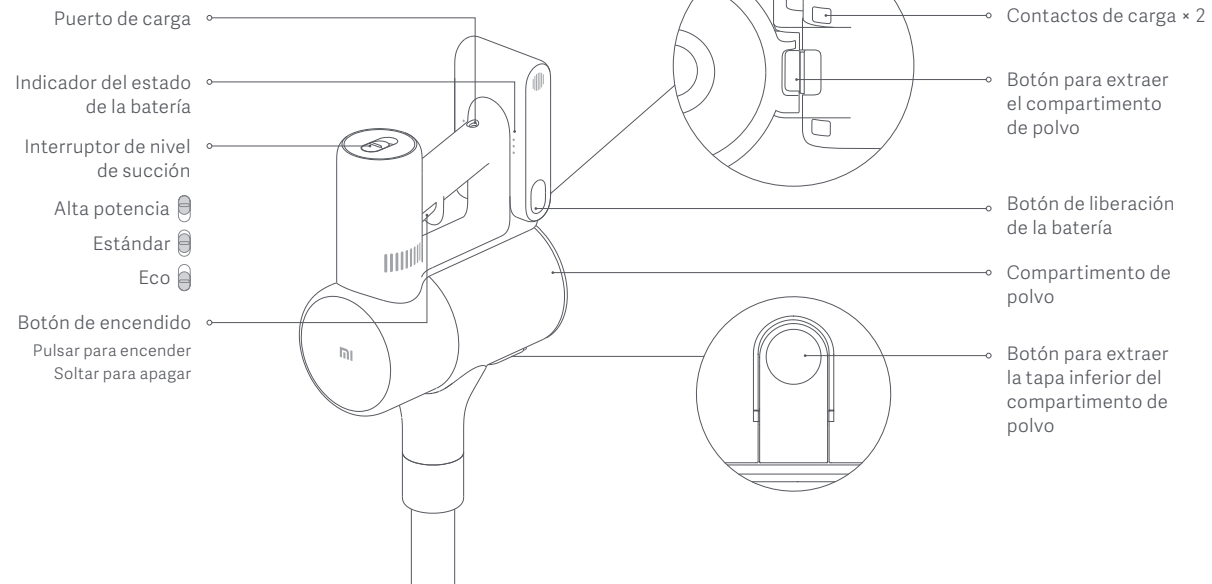
Varilla de extensión



Cargador

Nota: Las imágenes del producto, sus accesorios y la interfaz de usuario incluidas en este manual de usuario se proporcionan solo como referencia. El producto y las funciones reales pueden variar debido a las actualizaciones y mejoras del secador.

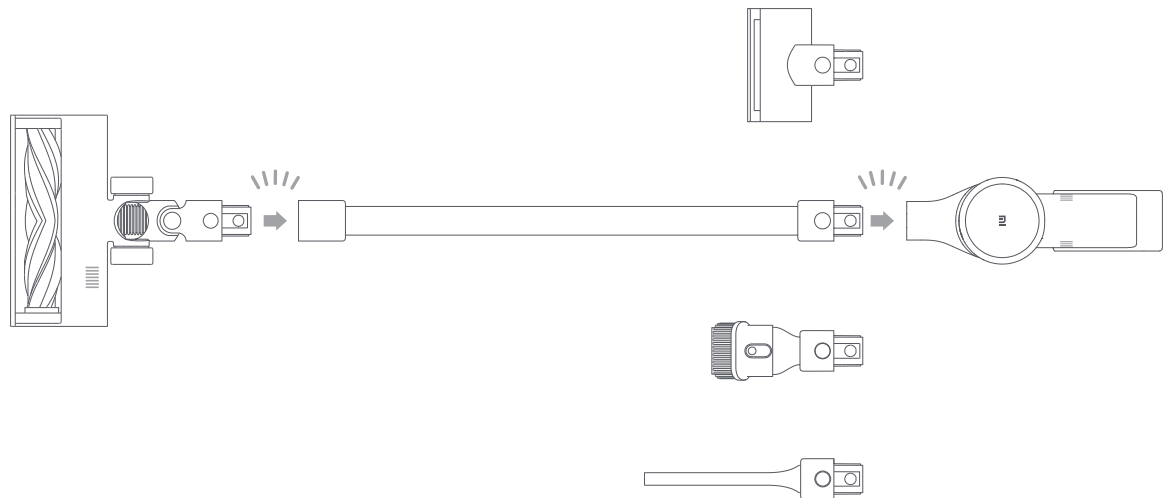
Nombre del componente



Cómo instalar

Instalar los accesorios en la aspiradora

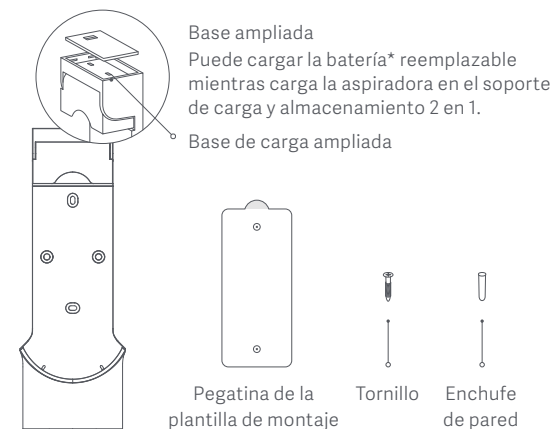
 Insértelo hasta que encaje en su sitio.



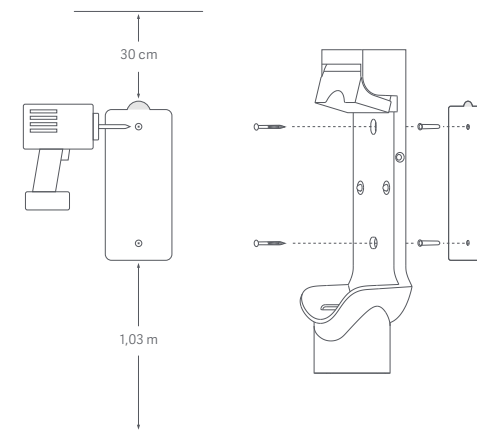
Nota: No debe utilizar el minicepillo eléctrico con la varilla de extensión.

Instalar el soporte de carga y almacenamiento 2 en 1

1. El soporte de carga y almacenamiento 2 en 1 debe ser instalado en un lugar fresco y seco, con una toma eléctrica cercana. Antes de instalarlo, asegúrese de que no hay ningún cable ni tubo detrás de dónde se instalaría el soporte.
2. La parte inferior de la pegatina de la plantilla de montaje debe estar nivelada y, al menos, a 1,03 m del suelo. La parte superior debe tener al menos un espacio de 30 cm sobre ella.



3. Utilice un taladro eléctrico con una broca de 8 mm para hacer un orificio en cada marcador de la pegatina de la plantilla de montaje y, a continuación, inserte un taco en cada orificio.
4. Alinee los orificios de montaje del soporte de carga y almacenamiento 2 en 1 con los orificios de la pared y, a continuación, fije el soporte a la pared con los tornillos incluidos.



Altura recomendada: Al menos 1,03 metros del suelo

Carga

Indicador del estado de la batería

○ Apagado ⚡ Intermitente ● Encendido

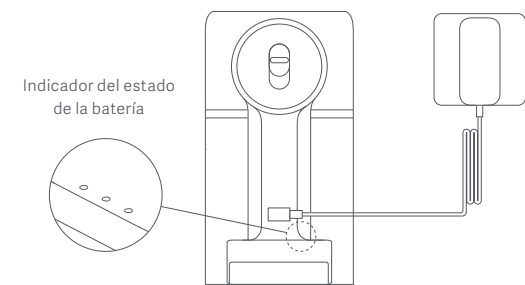
⚡ ○ ○ Batería baja

● ⚡ ○ Batería media

● ● ⚡ Casi cargada

● ● ● Totalmente cargada

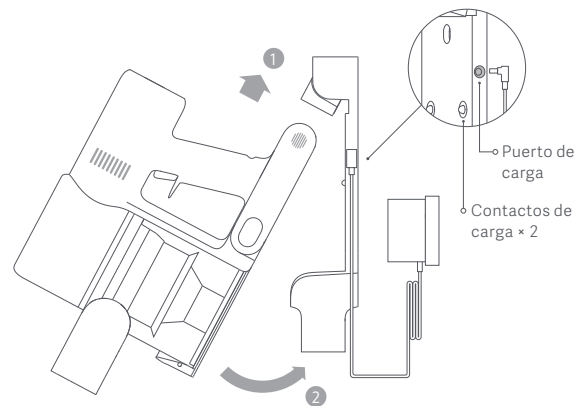
Una vez que la aspiradora esté completamente cargada, el indicador se apagará después de 5 minutos y la aspiradora activará el modo de ahorro de energía.



Cargar la aspiradora con el cargador

Notas:

- Cargue completamente la aspiradora antes de usarla por primera vez. Esto puede tardar unas 3,5 horas.
- La aspiradora no se puede utilizar mientras se esté cargando.
- Aspirar con un nivel de succión alto durante un periodo prolongado provocará que la batería se caliente, lo que podría aumentar el tiempo de carga. Antes de cargar la aspiradora, recomendamos esperar unos 30 minutos a que se enfríe.

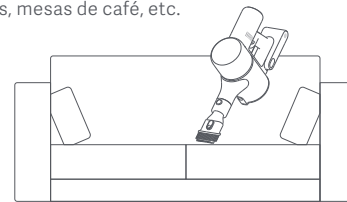


Cargar la aspiradora en el soporte de carga

Modo de uso

Uso de los diferentes accesorios

Boquilla del cepillo 2 en 1: Para aspirar cortinas, sofás, interiores de vehículos, mesas de café, etc.



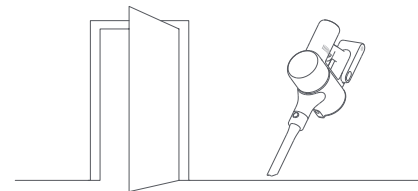
Minicepillo eléctrico: Para aspirar la suciedad, los pelos de mascota y otros restos resistentes de los sofás, la ropa de cama y otras superficies de tela.



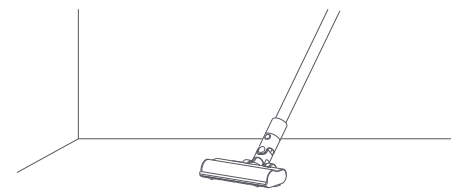
Nota:

- Si alguna pieza giratoria se queda atascada, la aspiradora podría apagarse de forma automática. Extraiga los objetos extraños que se hayan quedado atascados y reanude el uso.
- Si el motor funciona a temperaturas demasiado elevadas, la aspiradora se apagará automáticamente. Espere a que la temperatura de la batería vuelva a ser normal y, a continuación, reanude el uso.

Boquilla para hendiduras: Para aspirar hendiduras estrechas y zonas alrededor de puertas, ventanas, rodapiés, esquinas, escaleras, etc.



Barra del cepillo de alto par: Para limpieza de varios tipos de suelos, como madera, mármol, baldosas y alfombra.



Nota:

- La barra del cepillo de alto par se puede conectar directamente a la aspiradora.

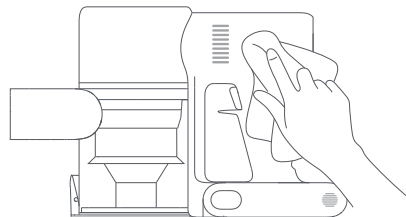
Cuidado y mantenimiento

Advertencias de mantenimiento

- Utilice siempre piezas originales para evitar que se anule la garantía.
- Si el filtro, la varilla de extensión o la barra del cepillo de alto quedan obstruidos, la aspiradora dejará de funcionar en poco tiempo. Para hacer que vuelva a funcionar, limpie el componente obstruido.
- Si no va a utilizar la aspiradora durante un largo periodo de tiempo, cárguela completamente, desenchúfela de la corriente y guárdela en un lugar fresco, con poca humedad y protegida de la luz solar. Para evitar que la batería se descargue en exceso, recargue la aspiradora al menos una vez cada tres meses.

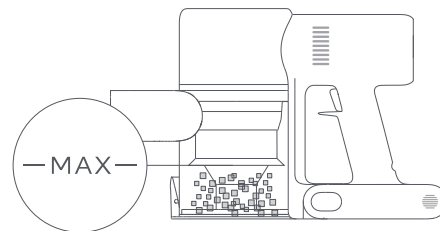
Limpieza de la aspiradora

Limpie la aspiradora con un trapo seco y suave.

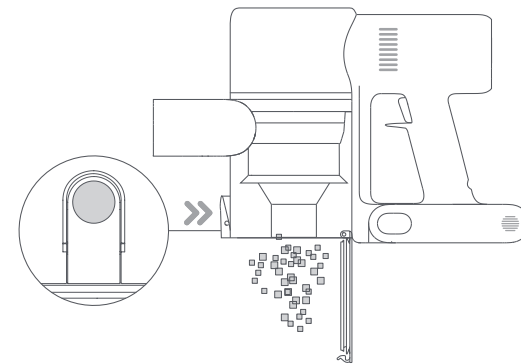


Limpieza del compartimento para el polvo, el prefiltro y el ciclón

1. La capacidad de limpieza de la aspiradora se verá reducida en caso de que el compartimento para el polvo esté lleno y alcance la marca de "MAX". Para que recupere su rendimiento, vacíe el compartimento para el polvo de manera oportuna. Antes de vaciar el compartimento, asegúrese de que la aspiradora está desconectada de la corriente y no pulse el botón de encendido.

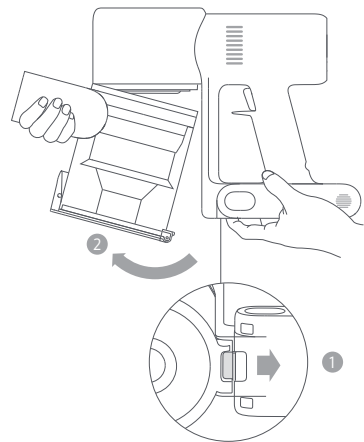


2. Pulse el botón para extraer la tapa inferior del compartimento de polvo y vacíe el contenido.



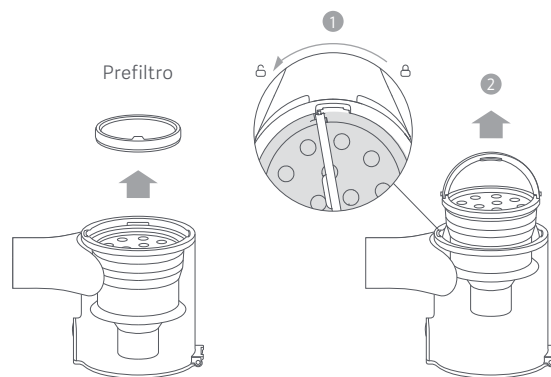
Cuidado y mantenimiento

3. Mueva el interruptor de liberación del compartimento para el polvo en la dirección indicada por la flecha y retire suavemente el compartimento de polvo de la aspiradora.



Botón para extraer el compartimento de polvo

4. Quite primero el prefiltro, luego levante el mango del ciclón y gire en sentido contrario a las agujas del reloj hasta que se detenga, por último, tire para sacar el ciclón.



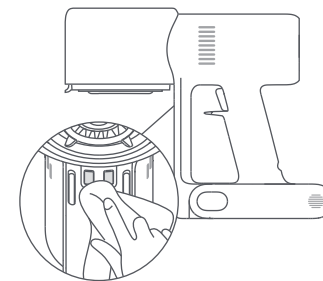
5. Enjuague con agua el prefiltro, el ciclón y el compartimento de polvo hasta que estén limpios. Luego, ponga a un lado los componentes hasta que se sequen completamente, durante al menos 24 horas.



Notas:

- Debe enjuagar el compartimento de polvo al menos una vez al mes.
- Debe limpiar el prefiltro y el ciclón al menos una vez cada 3 o 4 meses.

6. Limpie los puntos de contacto de la aspiradora con un trapo seco y suave si están sucios.



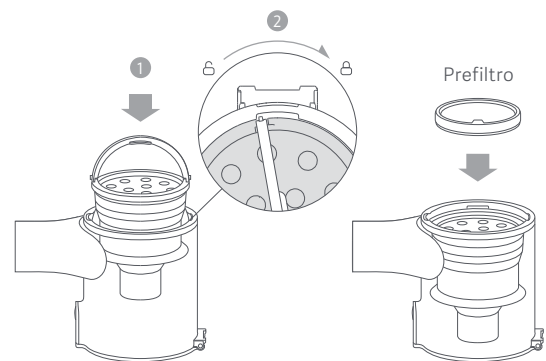
Notas:

- No utilice detergentes, abrillantadores ni ambientadores para limpiar el compartimento de polvo.
- No limpie el compartimento de polvo, el prefiltro ni el ciclón en un lavavajillas ni en una lavadora, ni intente secarlos en secadoras, hornos, microondas o poniéndolos cerca del fuego.

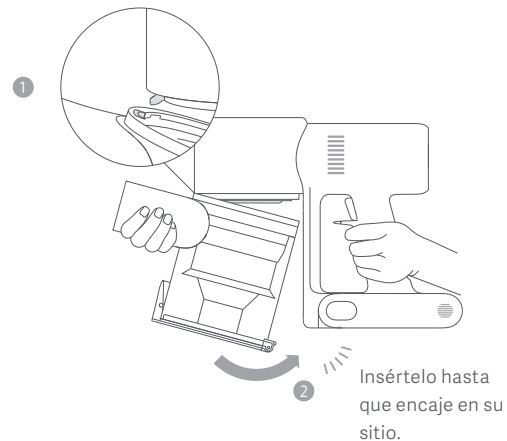
Cuidado y mantenimiento

Instalación del compartimento para el polvo, el prefiltro y el ciclón

1. Inserte verticalmente el ciclón en el compartimento de polvo y asegúrese de que el mango está alineado con la ranura del lado izquierdo del compartimento de polvo. Gire el mango en el sentido de las agujas del reloj hasta que esté fijo. Luego baje el mango.
2. Coloque el prefiltro dentro del ciclón, con la parte frontal mirando hacia arriba.



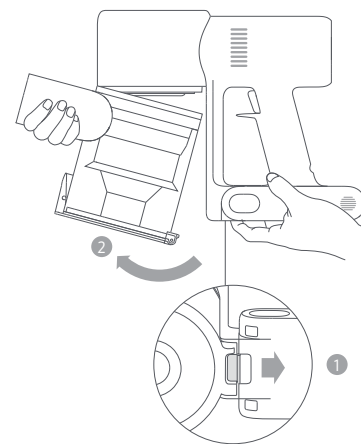
3. Incline ligeramente el compartimento de polvo para que sus ranuras queden alineadas con la pestaña de la aspiradora. Luego presione suavemente sobre el compartimento de polvo hasta que encaje en su sitio.



Limpieza del filtro

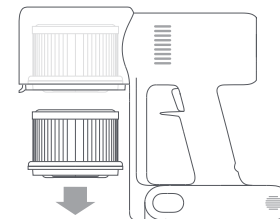
Nota: Se recomienda limpiar el filtro una vez cada 4 o 6 meses.

1. Extraiga el compartimento del polvo como se indica en la imagen.



Botón para extraer el compartimento de polvo

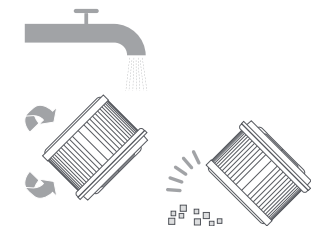
2. Extraiga el filtro de la aspiradora tirando hacia abajo, en la dirección que se muestra en la imagen.



3. Limpie el filtro con agua limpia. Asegúrese de girar el filtro 360° para quitar toda la suciedad del filtro. Golpee suavemente el filtro varias veces para extraer cualquier exceso de suciedad.

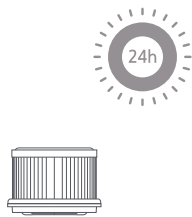
Notas:

- Utilice únicamente agua limpia para limpiar el filtro. No utilice detergentes.
- No intente limpiar el filtro con un cepillo ni con los dedos.



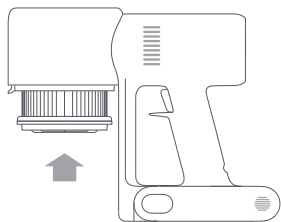
Cuidado y mantenimiento

4. Deje secar el filtro durante, al menos, 24 horas.

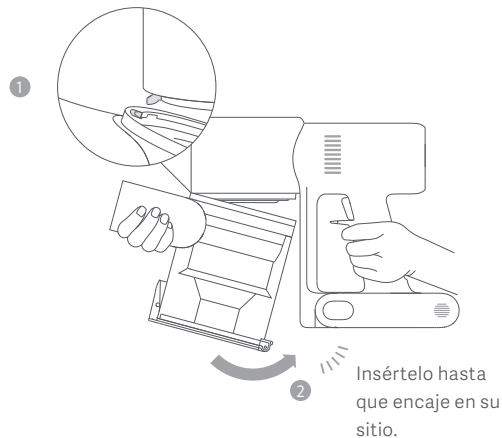


Instalación del filtro

1. Inserte el filtro en la aspiradora y presione suavemente hacia abajo, como se indica en la imagen.

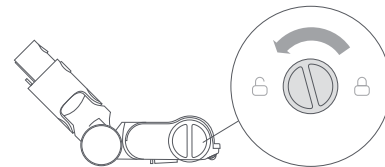


2. Vuelva a instalar el compartimento de polvo.

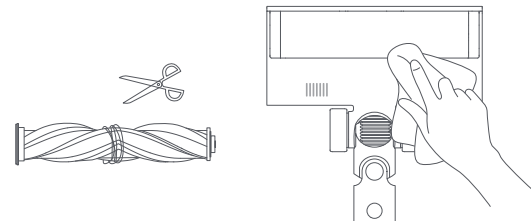


Limpieza de la barra del cepillo de alto par

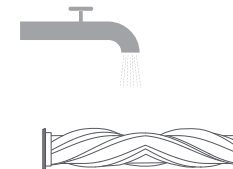
1. Gire en sentido contrario a las agujas del reloj hasta que se detenga y quite el rodillo de la barra del cepillo de alto par.



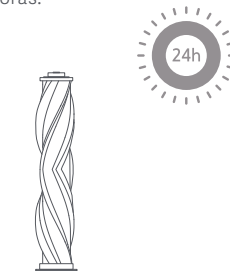
2. Utilice unas tijeras para cortar y recoger los pelos, o cualquier otro desecho, que se haya quedado enredado en el rodillo. Limpie el exceso de polvo de la ranura y de la cubierta de plástico transparente con un paño seco o con papel absorbente.



3. Tras un uso prolongado, puede que el rodillo se ensucie, por lo que debería lavarlo.



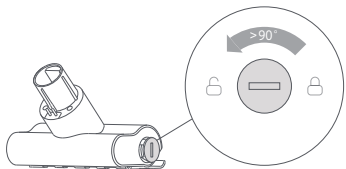
4. Tras la limpieza, deje que el rodillo se seque completamente, poniéndolo en posición vertical en un área bien ventilada durante al menos 24 horas.



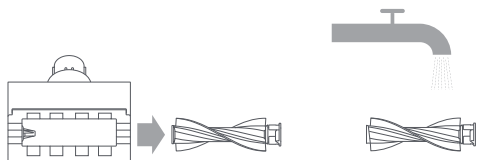
Cuidado y mantenimiento

Limpieza del minicepillo eléctrico

1. Utilice una moneda para girar el cierre en sentido contrario a las agujas del reloj, hasta que oiga un clic.



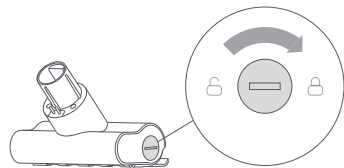
2. Tras desbloquear el rodillo, retírelo del minicepillo eléctrico y enjuague y limpie el rodillo.



3. Tras la limpieza, deje que el rodillo se seque completamente, poniéndolo en posición vertical en un área bien ventilada durante al menos 24 horas.



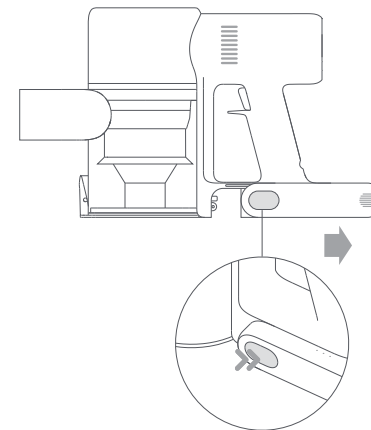
4. Cuando el rodillo esté seco, vuelva a colocarlo siguiendo los pasos del desmontaje a la inversa.



Pack de batería

La aspiradora contiene un pack de batería de ion de litio recargable y extraíble que cuenta con un número limitado de ciclos de recarga. Tras un uso prolongado, el pack de batería dejará de poder realizar una carga. Si esto ocurre, significará que el pack de batería ha alcanzado el fin de su vida útil y deberá sustituirlo.

1. Pulse el botón de liberación del pack de batería y deslícelo hacia la derecha para sacarlo, como se muestra en la imagen.
2. Instale el nuevo pack de batería.



Especificaciones

Aspiradora sin cables			
Modelo	MJSCXCQ1T	Tensión nominal	25,2 V ===
Tensión de carga	30,8 V ===	Capacidad nominal	2500 mAh
Potencia nominal	400 W	Capacidad del compartimento de polvo	0,6 L máx.
Tiempo de carga	Aproximadamente 3,5 horas	Peso neto	3,8 kg
Dimensiones del producto	1286 × 214 × 256 mm		

Barra del cepillo de alto par		Minicepillo eléctrico	
Modelo	G9-01	Model	1C-02
Potencia nominal	40 W	Potencia nominal	20 W
Tensión nominal	25,2 V ===	Tensión nominal	25,2 V ===

Cargador			
Fabricado por	Zhongshan Baolijin Electronic Co., Ltd.	Eficiencia activa media	87.5%
Modelo	BLJ24W308080P-V	Eficiencia en carga baja (10%)	77.9%
Entrada	100-240 V~ 50/60 Hz 0,8 A	Consumo de energía sin carga	0,10 W
Salida	30,8 V === 0,8 A 24,6 W		

Pack de batería de ion de litio recargable			
Modelo de batería	P2045-7S1P-BC/P2045-7S1P-BCA/P2045-7S1P-BCB	Capacidad nominal	2500 mAh
Tensión nominal	25,2 V ===	Capacidad nominal	2400 mAh
Energía	60,48 Wh		

El pack de batería de ion de litio contiene sustancias perjudiciales para el medio ambiente. Antes de desechar la aspiradora, quite el pack de batería y deséchelo o recíclelo siguiendo las leyes y reglamentos locales del país o región en el que se use.

Información sobre RAEE



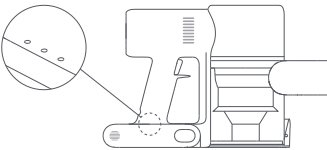
Todos los productos que llevan este símbolo son residuos de aparatos eléctricos y electrónicos (RAEE según la directiva 2012/19/UE) que no deben mezclarse con residuos domésticos sin clasificar. En su lugar, debe proteger la salud humana y el medio ambiente entregando sus equipos de desecho a un punto de recogida para el reciclaje de residuos de equipos eléctricos y electrónicos, designado por el gobierno o las autoridades locales. La eliminación y el reciclado correctos ayudarán a evitar posibles consecuencias negativas para el medio ambiente y la salud humana. Póngase en contacto con el instalador o con las autoridades locales para obtener más información sobre la ubicación y las condiciones de dichos puntos de recogida.

Preguntas frecuentes

Error	Posible causa	Solución
La aspiradora no funciona.	No tiene batería o le queda poca.	Cargue completamente la aspiradora y reanude el uso.
	Activa el modo de protección contra sobrecalentamiento debido a una obstrucción.	Espere a que se enfríe la aspiradora y reactívela.
	La abertura de succión o el conducto de aire está bloqueado.	Limpie cualquier obstrucción de la abertura de succión o del conducto de aire.
La potencia de succión disminuye.	El compartimento de polvo está lleno y/o el filtro está obstruido.	Vacíe el compartimento de polvo y limpie el filtro.
	La barra del cepillo de alto par, la varilla de extensión u otras partes están bloqueadas.	Limpie cualquier bloqueo de la barra del cepillo de alto par, varilla de extensión u otras partes.
El motor hace un ruido raro.	La abertura de succión principal o la varilla de extensión está bloqueada.	Limpie cualquier obstrucción en la abertura de succión principal o en la varilla de extensión.
El primer indicador aparece rojo después de encender la aspiradora.	El pack de batería está dañado.	Póngase en contacto con el servicio posventa para concertar una cita de mantenimiento.
El primer indicador parpadea en rojo al cargar la aspiradora.	El cargador no es compatible.	Utilice únicamente el cargador original para cargar la aspiradora.

Error	Posible causa	Solución
El indicador de batería no se enciende durante la carga.	El cargador no está conectado a la aspiradora.	Asegúrese de que el cargador esté bien conectado.
	La batería está totalmente cargada y cambió al modo de suspensión.	Puede utilizar la aspiradora como de costumbre.
	Si el problema persiste después de descartar las dos posibilidades anteriores, póngase en contacto con el servicio posventa para obtener ayuda.	
La batería se carga lentamente.	La temperatura de la batería es demasiado alta o baja.	Espere a que la temperatura de la batería se normalice y reanude el uso.

Preguntas frecuentes

Descripción del error del indicador de estado de la batería				
La aspiradora dejará de funcionar si se produce algún error y el indicador parpadeará en color blanco. Consulte la información siguiente para encontrar la solución.				
Estado de la aspiradora	Estado del indicador	Descripción del indicador	Posible causa	Solución
La aspiradora deja de funcionar de repente.	● ○ ○	El primer indicador parpadea en blanco durante 5 segundos y luego se apaga.	Batería agotada	Recárguela cuanto antes.
	● ● ○	El primer y el segundo indicador parpadean en blanco durante 5 segundos de forma simultánea y luego se apagan.	El rodillo está atascado.	Consulte "Limpieza de la barra del cepillo de alto par" en la sección de Cuidado y mantenimiento para ver las instrucciones de cómo quitar los pelos y otros desechos el rodillo.
	● ● ●	Los tres indicadores parpadean en blanco durante 5 segundos de forma simultánea y luego se apagan.	Conducto de aire bloqueado	Compruebe si hay obstrucciones en el compartimento de polvo, la varilla de extensión y/o la barra del cepillo de alto par.

Istruzioni di sicurezza

Questo prodotto è destinato esclusivamente all'utilizzo domestico. Leggere attentamente il presente manuale prima dell'uso del dispositivo e conservarlo per ogni riferimento futuro.

L'apparecchio può essere utilizzato da bambini di età superiore a 8 anni e da persone con capacità fisiche, sensoriali o mentali ridotte oppure da persone prive di esperienza o conoscenza dell'apparecchio, purché siano sorvegliate o siano state istruite sull'uso sicuro dell'apparecchio e comprendano i rischi che ne possono derivare. Non consentire ai bambini di giocare con l'apparecchio. Le operazioni di pulizia e manutenzione non devono essere effettuate da bambini, a meno che non siano sorvegliati.

L'apparecchio deve essere utilizzato esclusivamente con l'alimentatore fornito con l'apparecchio. L'aspirapolvere non è un giocattolo. Questo prodotto non deve essere utilizzato come gioco o azionato da bambini. Prestare attenzione quando si utilizza l'aspirapolvere in presenza di bambini. Ai bambini non deve essere consentito eseguire operazioni di pulizia o manutenzione sull'aspirapolvere in assenza di un genitore o tutore.

Utilizzare l'aspirapolvere solo su superfici interne asciutte. Non installare, caricare o utilizzare questo prodotto all'aperto, ad esempio in stanze da bagno o vicino a una piscina.

Non toccare la spina o qualsiasi parte dell'aspirapolvere con le mani bagnate.

Per ridurre il rischio di incendio, esplosione o lesioni personali, verificare che la batteria agli ioni di litio e il caricabatterie non siano danneggiati prima dell'uso. Non utilizzare l'aspirapolvere se la batteria o il caricabatterie sono danneggiati.

La barra della spazzola a coppia elevata, la mini spazzola elettrica, la batteria, l'asta di prolunga e l'aspirapolvere conducono elettricità e non devono essere immersi in acqua o altri liquidi. Assicurarsi che tutte le parti siano completamente asciutte dopo averle pulite.

Per evitare lesioni causate da parti in movimento, spegnere l'aspirapolvere prima di pulire la barra della spazzola a coppia elevata e la mini spazzola elettrica. Prima di utilizzare l'aspirapolvere, è necessario installare correttamente la barra della spazzola a coppia elevata, il vano polvere e il filtro.

Istruzioni di sicurezza

Utilizzare esclusivamente il caricabatterie originale (modello: BLJ24W308080P-V) in dotazione con il prodotto.

Utilizzare esclusivamente il tipo di batteria approvato (modello: P2045-7S1P-BC/P2045-7S1P-BCA/P2045-7S1P-BCB/P2046-7S1P-BC/P2046-7S1P-BCA).

Se il caricabatterie o la batteria vengono danneggiati, è necessario sostituirli con un componente originale acquistato dal produttore o tramite il servizio di assistenza post-vendita.

Non utilizzare l'aspirapolvere per raccogliere liquidi infiammabili o combustibili, ad esempio benzina, candeggina, ammoniacca, prodotti per la pulizia degli scarichi o altri liquidi come acqua.

Non utilizzare l'aspirapolvere per raccogliere parti di muro, ceneri come la cenere del camino o materiali incandescenti come carbone, mozziconi di sigaretta o fiammiferi.

Non utilizzare l'aspirapolvere per raccogliere oggetti duri o taglienti, ad esempio vetro, chiodi, viti o monete, che potrebbero danneggiarlo.

Assicurarsi di tenere capelli, abiti larghi, dita e altre parti del corpo lontano dalle bocchette e dalle parti in movimento dell'aspirapolvere. Non puntare la bocchetta di aspirazione, l'asta di prolunga o altri accessori verso gli occhi o le orecchie, né metterli in bocca.

Non inserire oggetti nelle bocchette dell'aspirapolvere, né utilizzare l'aspirapolvere con le bocchette ostruite. Rimuovere polvere, lanugine, capelli o altri elementi che potrebbero ridurre il flusso dell'aria.

Non appoggiare l'aspirapolvere contro una sedia, un tavolo o altre superfici instabili per evitare il rischio di danni al prodotto o lesioni personali. Se l'aspirapolvere non funziona correttamente a causa di un urto o un danneggiamento, contattare il nostro reparto di assistenza autorizzato. Non tentare mai di smontare autonomamente l'aspirapolvere.

Utilizzare esclusivamente il caricabatterie originale per ricaricare il prodotto in luoghi in cui la temperatura ambiente è compresa tra 0 e 40 °C; diversamente, la batteria rischia di danneggiarsi.

Prima di utilizzare l'aspirapolvere, è necessario installare correttamente il coperchio del vano polvere, il pre-filtro, il sistema ciclonico e il filtro.

Assicurarsi che l'aspirapolvere sia scollegato dalla corrente quando non viene utilizzato per lunghi periodi di tempo e prima di eseguire interventi di manutenzione o riparazioni.

Prestare la massima attenzione quando si utilizza l'aspirapolvere per pulire scale.

Pericolo di incendio: Non applicare alcun tipo di profumo sul filtro dell'aspirapolvere. In genere, questa tipologia di prodotti contiene sostanze chimiche infiammabili, che rischiano di far incendiare l'aspirapolvere.

Quando non è in uso, la batteria va tenuta lontano da qualsiasi oggetto metallico, ad esempio graffette, monete, chiavi, chiodi o viti. Il corto circuito dei terminali può causare ustioni o incendi.

In condizioni di uso scorretto, potrebbe fuoriuscire del liquido dalla batteria. Evitare il contatto con tale liquido poiché può causare irritazioni o ustioni. In caso di contatto, sciacquare con acqua. Se il liquido viene a contatto con gli occhi, rivolgersi a un medico.

NON esporre la batteria e l'apparecchio al fuoco poiché ciò potrebbe causare esplosioni.

NON esporre o immergere la batteria e l'apparecchio in acqua, acqua salata o altri liquidi.

Utilizzare il prodotto seguendo le istruzioni fornite nel manuale utente. Gli utilizzatori sono responsabili di eventuali perdite o danni derivanti dall'uso improprio dell'apparecchio.

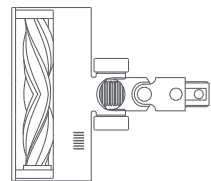
Con la presente, Dreame (Tianjin) Information Technology Co., Ltd. dichiara che questo apparecchio è conforme alle direttive applicabili e alle norme europee, nonché ai relativi emendamenti. Il testo completo della dichiarazione di conformità UE è disponibile al seguente indirizzo Internet:

<http://www.mi.com/global/service/support/declaration.html>

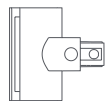
Il manuale elettronico dettagliato è disponibile all'indirizzo www.mi.com/global/service/userguide

Panoramica del prodotto

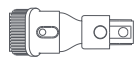
Elenco accessori



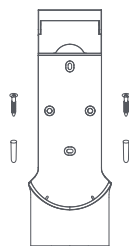
Barra della spazzola a coppia elevata



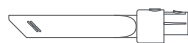
Mini spazzola elettrica



Ugello a spazzola 2-in-1



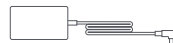
Supporto di ricarica e appoggio 2-in-1
(con 2 viti, 2 tasselli e adesivo del modello di montaggio)



Ugello per fessure



Asta di prolunga



Caricabatterie

Nota: Le illustrazioni del prodotto, degli accessori e dell'interfaccia utente nel manuale utente sono solo a scopo di riferimento. Il prodotto e le funzioni effettive potrebbero variare a causa di miglioramenti del prodotto.

Nome componente

Porta di ricarica

Indicatore di stato della batteria

Interruttore livello di aspirazione

Potenza elevata

Standard

Eco

Pulsante di accensione
Premere per accendere
Rilasciare per spegnere

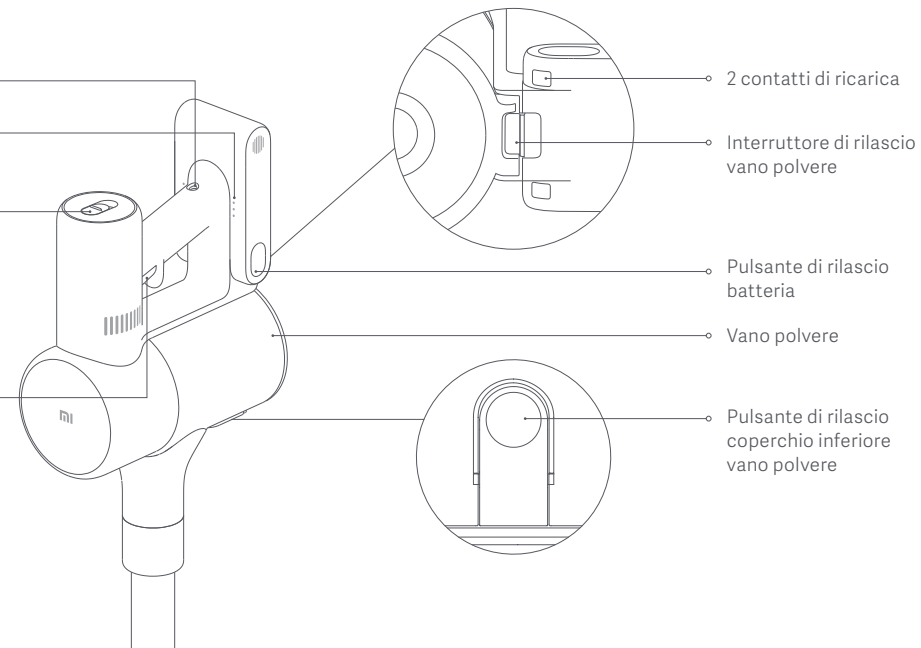
2 contatti di ricarica

Interruttore di rilascio vano polvere

Pulsante di rilascio batteria

Vano polvere

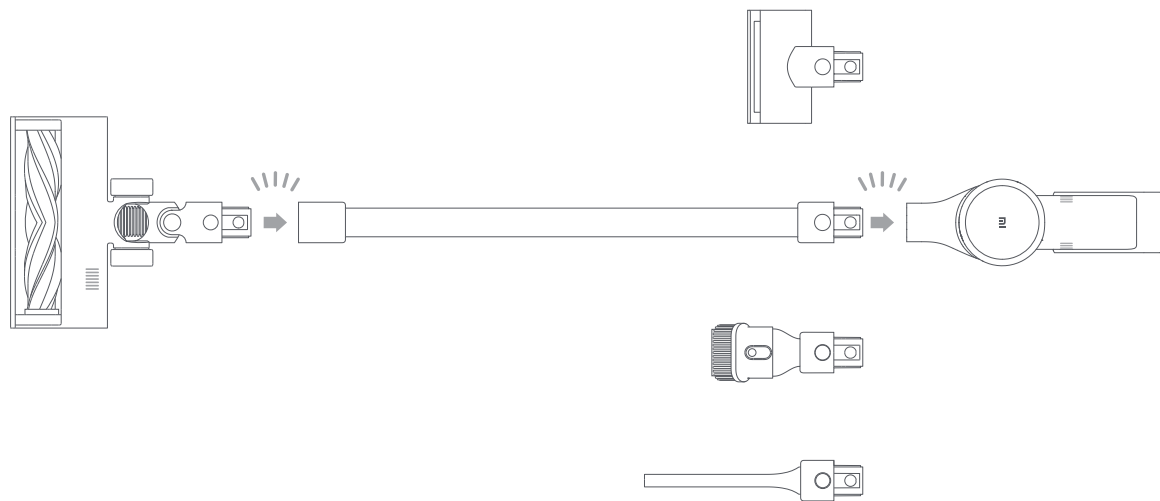
Pulsante di rilascio coperchio inferiore vano polvere



Installazione

Installazione degli accessori nell'aspirapolvere

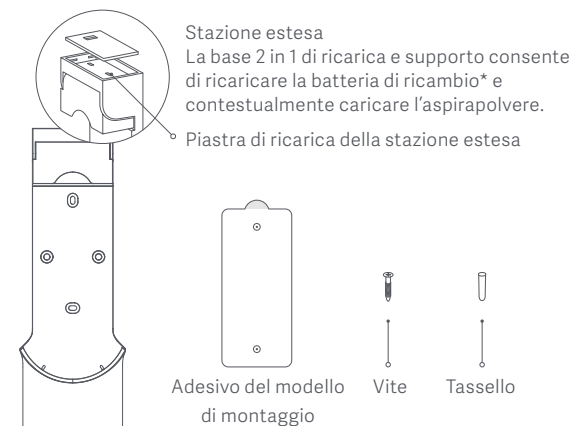
 Inserire fino a udire un clic che indica il posizionamento corretto



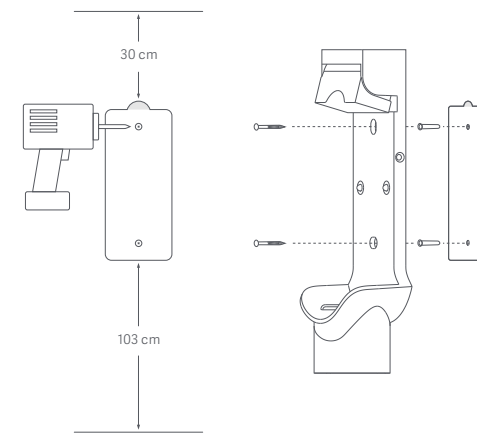
Nota: La mini spazzola elettrica non deve essere utilizzata con l'asta di prolunga.

Installazione del supporto di ricarica e appoggio 2-in-1

1. Il supporto di ricarica e appoggio 2-in-1 deve essere installato in un luogo fresco e asciutto con una presa elettrica nelle vicinanze. Prima di installarlo, assicurarsi che non siano presenti fili o tubi nello spazio di installazione direttamente dietro al supporto.
2. La parte inferiore dell'adesivo del modello di montaggio deve essere piana e distante almeno 1,03 m da terra, mentre la parte superiore deve avere almeno 30 cm di spazio libero sopra di essa.



3. Utilizzare un trapano elettrico con una punta da 8 mm per praticare un foro su ciascun marcatore di foro sull'adesivo del modello di montaggio, quindi inserire un tassello in ciascun foro.
4. Allineare i fori di montaggio sul supporto di ricarica e appoggio 2-in-1 ai fori sulla parete, quindi fissare il supporto alla parete utilizzando le viti in dotazione.



Altezza consigliata: almeno 1,03 metri da terra

Ricarica

Indicatore di stato della batteria

○ Spento ⚡ Intermittente ● Acceso

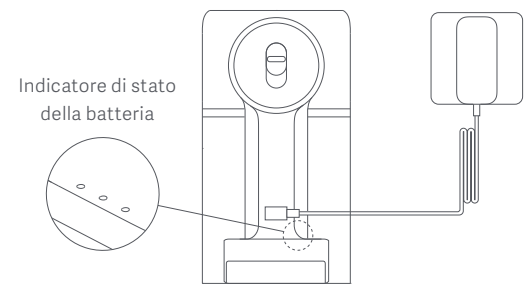
⚡ ○ ○ Batteria scarica

● ⚡ ○ Batteria a metà

● ● ⚡ Quasi carica

● ● ● Ricarica completata

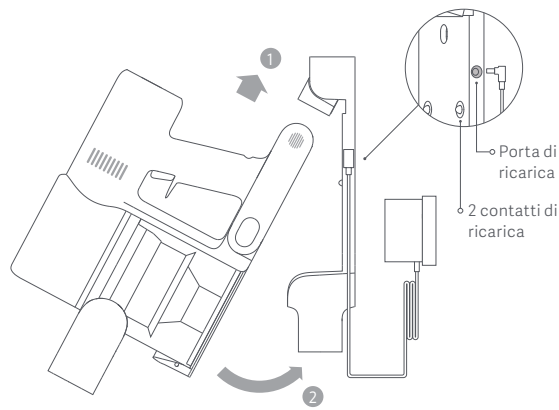
Quando l'aspirapolvere è completamente carico, l'indicatore si spegne dopo 5 minuti e viene attivata la modalità di risparmio energetico.



Ricarica dell'aspirapolvere con il caricabatterie

Note:

- Caricare completamente l'aspirapolvere prima di utilizzarlo per la prima volta. L'operazione richiede circa 3,5 ore.
- Non è possibile utilizzare l'aspirapolvere mentre viene ricaricato.
- L'aspirazione al massimo livello per un periodo prolungato causa il riscaldamento della batteria, il che può aumentare il tempo di ricarica. Prima di ricaricare l'aspirapolvere, si consiglia di lasciarlo raffreddare per 30 minuti.

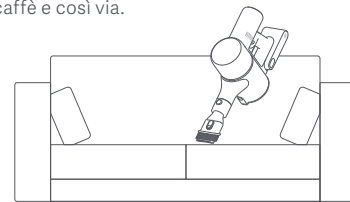


Ricarica dell'aspirapolvere sul supporto di ricarica

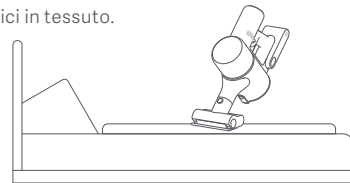
Modalità d'utilizzo

Uso degli accessori

Ugello a spazzola 2-in-1: per aspirare tende, divani, interni di veicoli, tavolini da caffè e così via.



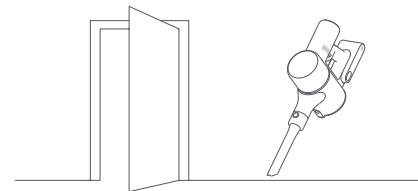
Mini spazzola elettrica: per aspirare sporco, peli di animali domestici e altri residui ostinati da divani, biancheria da letto e altre superfici in tessuto.



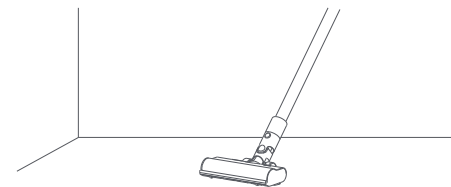
Nota:

- Se una delle parti rotanti si blocca, l'aspirapolvere potrebbe spegnersi automaticamente. Eliminare eventuali corpi estranei intrappolati, quindi riprendere l'uso.
- Quando il motore si surriscalda, l'aspirapolvere si spegne automaticamente. Attendere che la temperatura della batteria torni alla normalità, quindi riprendere l'utilizzo.

Ugello per fessure: per aspirare fessure e zone strette intorno a porte, finestre, battiscopa, angoli, scale e così via.



Barra della spazzola a coppia elevata: per pulire diversi tipi di pavimenti come parquet, marmo, piastrelle e moquette.



Nota:

- La barra della spazzola a coppia elevata può essere collegata direttamente all'aspirapolvere.

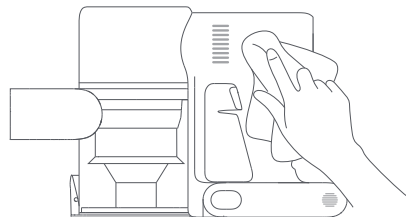
Cura e manutenzione

Precauzioni di manutenzione

- Utilizzare sempre parti originali per evitare che la garanzia decada.
- Se il filtro, l'asta di prolunga o la barra della spazzola a coppia elevata si intasa, l'aspirapolvere smette di funzionare in breve tempo. Per ripristinare la relativa funzionalità, pulire il componente intasato.
- Se l'aspirapolvere non viene utilizzato per un lungo periodo, ricaricarlo completamente, scollegarlo dalla presa di corrente, quindi conservarlo in un ambiente fresco e a bassa umidità, lontano dalla luce diretta del sole. Per evitare di scaricare eccessivamente la batteria, ricaricare l'aspirapolvere almeno una volta ogni tre mesi.

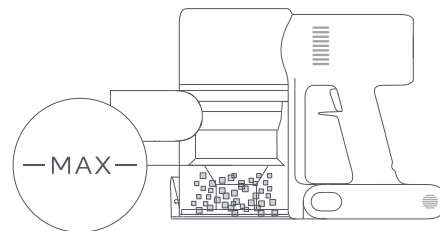
Pulizia dell'aspirapolvere

Pulire l'aspirapolvere con un panno morbido e asciutto.

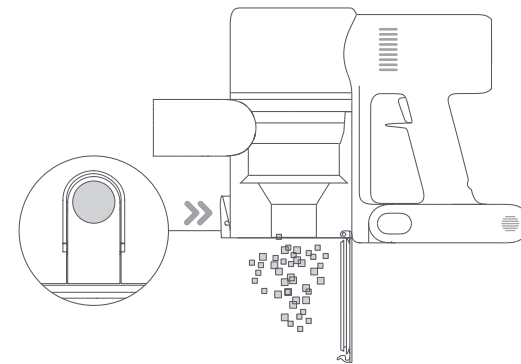


Pulizia del vano polvere, del pre-filtro e del sistema ciclonico

1. La capacità di pulizia dell'aspirapolvere si riduce se il vano polvere si riempie fino al segno "MAX". Per ripristinare le prestazioni, svuotare il vano polvere tempestivamente. Prima di svuotare il vano, assicurarsi che l'aspirapolvere sia disconnesso dalla presa di corrente e non premere il pulsante di accensione.

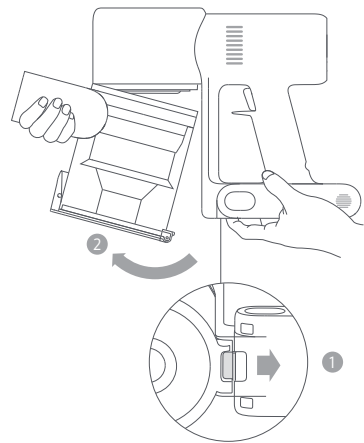


2. Premere il pulsante di rilascio del coperchio inferiore del vano polvere, quindi svuotare il contenuto.



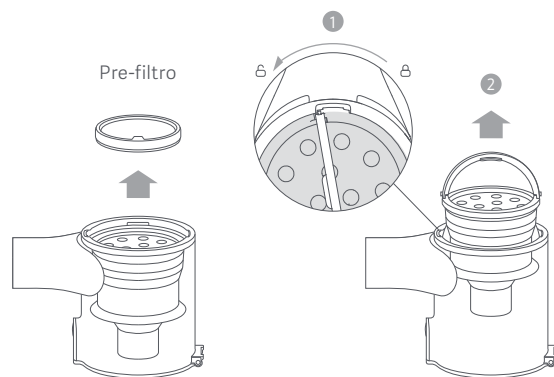
Cura e manutenzione

3. Spingere l'interruttore di rilascio del vano polvere nella direzione indicata dalla freccia, quindi rimuovere delicatamente il vano polvere dall'aspirapolvere.



Interruttore di rilascio vano polvere

4. Rimuovere prima il pre-filtro, quindi sollevare l'impugnatura del sistema ciclonico e ruotarla in senso antiorario fino all'arresto, quindi tirare per sollevare il sistema ciclonico.



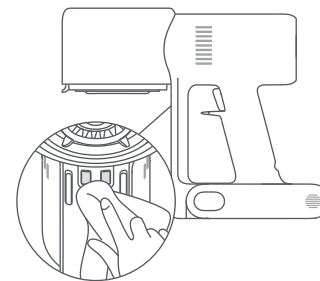
5. Sciacquare il pre-filtro, il sistema ciclonico e il vano polvere con acqua finché non risultano puliti, quindi mettere da parte ciascun componente per almeno 24 ore per farlo asciugare completamente.



Note:

- Il vano polvere deve essere risciacquato almeno una volta al mese.
- Il pre-filtro e il sistema ciclonico devono essere puliti una volta ogni 3-4 mesi.

6. Se i punti di contatto dell'aspirapolvere sono sporchi, pulirli con un panno morbido asciutto.



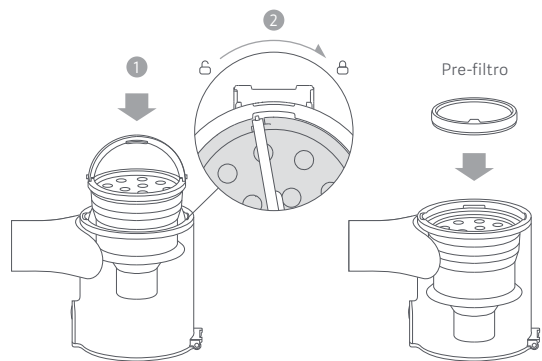
Note:

- Per pulire il vano polvere, non utilizzare detersivi, lucidanti o deodoranti per ambienti.
- Non pulire il vano polvere, il pre-filtro o il sistema ciclonico in lavastoviglie o lavatrice, né tentare di asciugare qualsiasi componente in un'asciugatrice, un forno, un forno a microonde o vicino a fiamme vive.

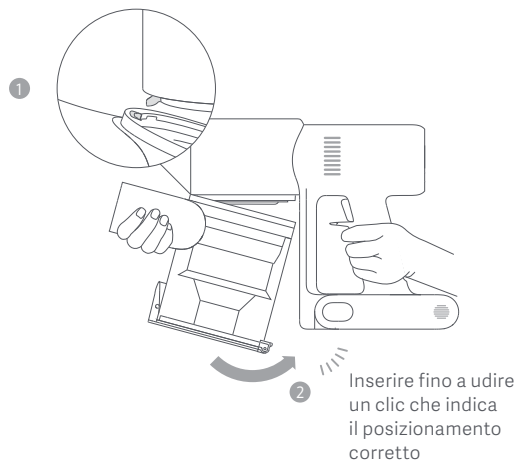
Cura e manutenzione

Installazione del vano polvere, del pre-filtro e del sistema ciclonico

1. Inserire il sistema ciclonico verticalmente nel vano polvere assicurandosi che l'impugnatura del sistema ciclonico sia allineata alla fessura sul lato sinistro del vano polvere. Ruotare l'impugnatura in senso orario finché non si blocca, quindi tirarla verso il basso.
2. Posizionare il pre-filtro con il lato anteriore rivolto verso il sistema ciclonico.



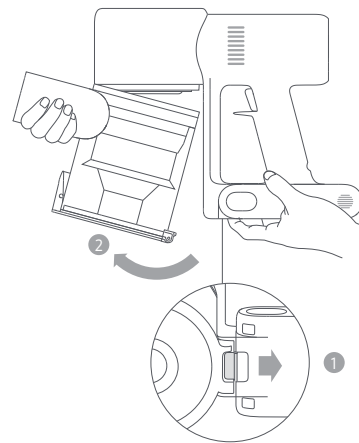
3. Inclinare leggermente il vano polvere in modo che il relativo alloggiamento risulti allineato al fermo dell'aspirapolvere. Quindi premere delicatamente il vano polvere finché non scatta in posizione.



Pulizia del filtro

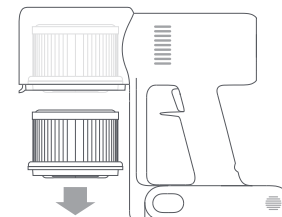
Nota: Si consiglia di pulire il filtro una volta ogni 4-6 mesi.

1. Rimuovere il vano polvere come mostrato nella figura.



Interruttore di rilascio vano polvere

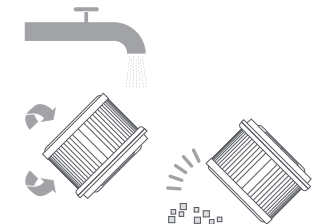
2. Rimuovere il filtro dall'aspirapolvere tirandolo verso il basso nella direzione mostrata nella figura.



3. Pulire il filtro con acqua pulita. Assicurarsi di ruotare il filtro di 360° per rimuovere accuratamente tutta la polvere intrappolata nel filtro. Picchiettare leggermente il filtro più volte per rimuovere lo sporco in eccesso.

Note:

- Per pulire il filtro, utilizzare esclusivamente acqua pulita. Non utilizzare detersivi.
- Non tentare di pulire il filtro con una spazzola o con le dita.



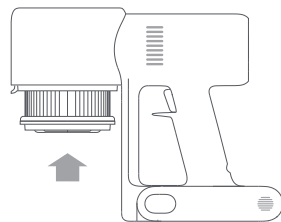
Cura e manutenzione

4. Lasciare asciugare completamente il filtro per almeno 24 ore.

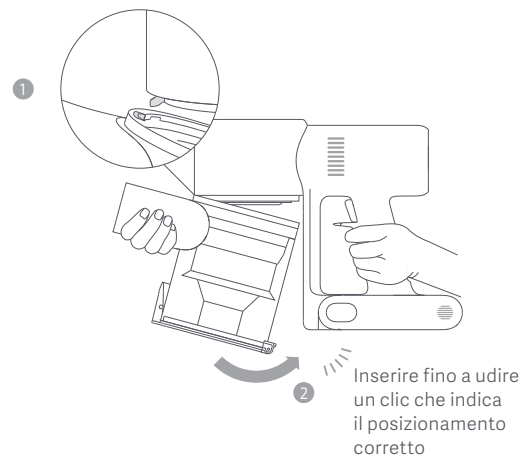


Installazione del filtro

1. Inserire il filtro nell'aspirapolvere, quindi premere delicatamente verso il basso, come illustrato.

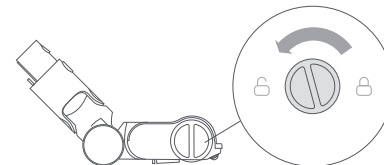


2. Reinstallare il vano polvere.

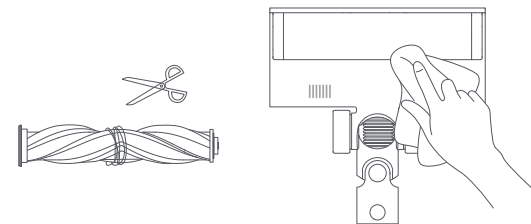


Pulizia della barra della spazzola a coppia elevata

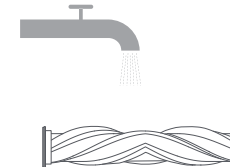
1. Ruotare il blocco in senso antiorario fino all'arresto, quindi rimuovere la spazzola a rullo dalla barra della spazzola a coppia elevata.



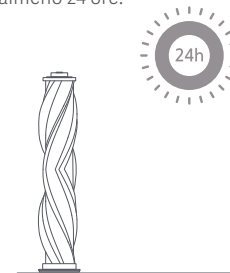
2. Utilizzare delle forbici per tagliare ed estrarre capelli o altri detriti aggrovigliati intorno alla spazzola a rullo. Rimuovere la polvere in eccesso dall'alloggiamento e dal coperchio in plastica trasparente con un panno asciutto o un tovagliolo di carta.



3. Dopo un uso prolungato, la spazzola a rullo può diventare molto sporca e deve essere lavata.



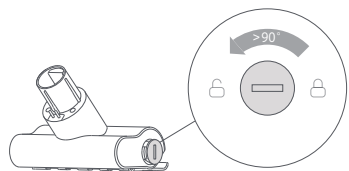
4. Dopo il lavaggio, lasciare asciugare completamente la spazzola a rullo mantenendola in posizione verticale in un'area ben ventilata per almeno 24 ore.



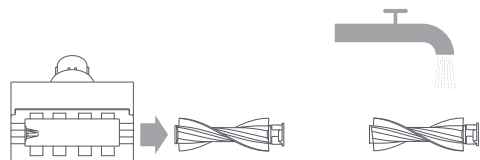
Cura e manutenzione

Pulizia della mini spazzola elettrica

1. Usare una monetina per ruotare il blocco in senso antiorario finché non si sente un clic.



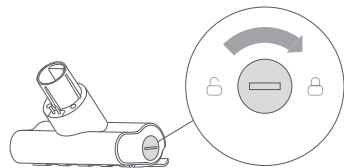
2. Dopo aver sbloccato la spazzola a rullo, rimuoverla dalla mini spazzola elettrica, quindi sciacquare e pulire la spazzola a rullo.



3. Dopo il lavaggio, lasciare asciugare completamente la spazzola a rullo mantenendola in posizione verticale in un'area ben ventilata per almeno 24 ore.



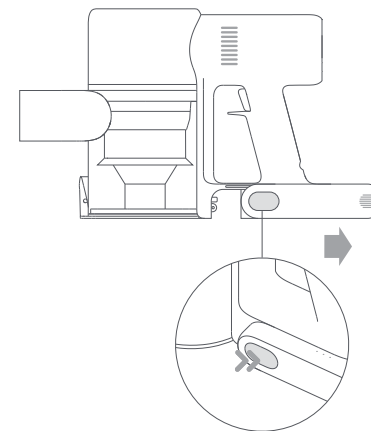
4. Quando è asciutta, reinstallare la spazzola a rullo seguendo a ritroso le istruzioni fornite per lo smontaggio.



Batteria

L'aspirapolvere contiene una batteria ricaricabile agli ioni di litio rimovibile che dispone di un numero limitato di cicli di ricarica. Dopo un uso prolungato, la batteria potrebbe non mantenere più la carica. Se ciò si verifica, la batteria ha raggiunto la fine del ciclo di vita e deve essere sostituita.

1. Premere il pulsante di rilascio della batteria e farla scorrere verso destra per rimuoverla.
2. Installare la nuova batteria.



Specifiche tecniche

Aspirapolvere senza filo			
Modello	MJSCXCQ1T	Tensione nominale	25,2 V ---
Tensione di ricarica	30,8 V ---	Capacità nominale	2500 mAh
Potenza nominale	400 W	Capacità del vano polvere	Max 0,6 l
Tempo di ricarica	Circa 3,5 ore	Peso netto	3,8 kg
Dimensioni articolo	1286 × 214 × 256 mm		

Barra della spazzola a coppia elevata		Mini spazzola elettrica	
Modello	G9-01	Modello	1C-02
Potenza nominale	40 W	Potenza nominale	20 W
Tensione nominale	25,2 V ---	Tensione nominale	25,2 V ---

Caricabatterie			
Fabbricato da	Zhongshan Baolijin Electronic Co., Ltd.	Efficienza attiva media	87.5%
Modello	BLJ24W308080P-V	Efficienza a basso carico (10%)	77.9%
Potenza in ingresso	100-240 V~ 50/60 Hz 0,8 A	Consumo di energia a vuoto	0,10 W
Potenza in uscita	30,8 V--- 0,8 A 24,6 W		

Batteria agli ioni di litio ricaricabile			
Modello batteria	P2045-7S1P-BC/P2045-7S1P-BCA/P2045-7S1P-BCB	Capacità nominale	2500 mAh
Tensione nominale	25,2 V ---	Capacità nominale	2400 mAh
Energia	60,48 Wh		

La batteria agli ioni di litio contiene sostanze pericolose per l'ambiente. Prima di gettare via l'aspirapolvere, rimuovere la batteria, quindi smaltirlo o riciclarlo in conformità alle leggi e alle normative locali del Paese o dell'area in cui viene utilizzato.

Informazioni RAEE



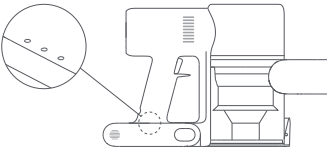


Tutti i prodotti contrassegnati da questo simbolo sono rifiuti di apparecchiature elettriche ed elettroniche (RAEE in base alla direttiva 2012/19/UE) che non devono essere smaltiti assieme a rifiuti domestici non differenziati. Al contrario, è necessario proteggere l'ambiente e la salute umana consegnando i rifiuti a un punto di raccolta autorizzato al riciclaggio di rifiuti di apparecchiature elettriche ed elettroniche, predisposto dalla pubblica amministrazione o dalle autorità locali. Lo smaltimento e il riciclaggio corretti aiutano a prevenire conseguenze potenzialmente negative all'ambiente e alla salute umana. Contattare l'installatore o le autorità locali per ulteriori informazioni sulla sede e per i termini e le condizioni di tali punti di raccolta.

Domande Frequenti

Errore	Possibile causa	Soluzione
L'aspirapolvere non funziona.	La batteria è completamente o quasi scarica.	Caricare completamente l'aspirapolvere, quindi riprendere l'uso.
	Entra in modalità di protezione da surriscaldamento attivata da un'ostruzione.	Attendere che l'aspirapolvere si raffreddi, quindi riattivarlo.
	La bocchetta di aspirazione o il passaggio dell'aria è ostruito.	Rimuovere le ostruzioni dalla bocchetta di aspirazione o dal passaggio dell'aria.
La potenza di aspirazione è diminuita.	Il vano polvere è pieno e/o il filtro è intasato.	Svuotare il vano polvere e pulire il filtro.
	La barra della spazzola a coppia elevata, l'asta di prolunga o altre parti sono ostruite.	Rimuovere le ostruzioni dalla barra della spazzola a coppia elevata, dall'asta di prolunga o da altre parti ostruite.
Il motore emette un rumore strano.	La bocchetta di aspirazione principale o l'asta di prolunga è ostruita.	Rimuovere le ostruzioni dalla bocchetta di aspirazione principale o dall'asta di prolunga.
La prima spia è rossa dopo l'accensione dell'aspirapolvere.	La batteria è danneggiata.	Contattare il servizio di assistenza post-vendita per la manutenzione.
La prima spia lampeggia in rosso durante la ricarica dell'aspirapolvere.	Il caricabatterie non è compatibile.	Per ricaricare l'aspirapolvere, utilizzare esclusivamente il caricabatterie originale.

Errore	Possibile causa	Soluzione
La spia della batteria non si accende durante la ricarica.	Il caricabatterie non è collegato all'aspirapolvere.	Assicurarsi che il caricabatterie sia collegato correttamente.
	La batteria è completamente carica e si è avviata la modalità di risparmio energia.	È possibile utilizzare l'aspirapolvere normalmente.
	Se il problema persiste anche dopo aver escluso le due ipotesi indicate in precedenza, contattare il servizio post-vendita per ottenere assistenza.	
La batteria si ricarica lentamente.	La temperatura della batteria è troppo bassa o troppo alta.	Attendere che la temperatura della batteria torni alla normalità, quindi riprendere l'utilizzo.

Domande Frequenti

Descrizione degli errori della spia di stato della batteria				
<p>In caso di errori, l'aspirapolvere smette di funzionare e la spia lampeggia in bianco. Per la soluzione, fai riferimento alle informazioni riportate di seguito.</p> 				
Stato aspirapolvere	Stato spia	Descrizione spia	Possibile causa	Soluzione
L'aspirapolvere smette di funzionare improvvisamente.		La prima spia lampeggia in bianco per 5 secondi, quindi si spegne.	Batteria esaurita	Ricaricarla tempestivamente.
		La prima e la seconda spia lampeggiano in bianco per 5 secondi contemporaneamente, quindi si spengono.	La spazzola a rullo è bloccata	Per istruzioni su come rimuovere capelli e altri detriti impigliati nella spazzola a rullo, consulta "Pulizia della barra della spazzola a coppia elevata" nella sezione Cura e manutenzione.
		Tutte e tre le spie lampeggiano in bianco per 5 secondi contemporaneamente, quindi si spengono.	Passaggio dell'aria bloccato	Verifica che non vi siano ostruzioni nel vano polvere, nell'asta di prolunga e/o nella barra della spazzola a coppia elevata.

Consignes relatives à la sécurité

Ce produit est conçu pour une utilisation domestique uniquement. Lisez attentivement ce manuel avant toute utilisation et conservez-le pour pouvoir le consulter ultérieurement.

Cet appareil peut être utilisé par des enfants de 8 ans et plus, ainsi que par des personnes aux aptitudes physiques, sensorielles ou mentales réduites ou encore manquant d'expérience et de connaissances, à condition qu'ils soient surveillés ou sensibilisés à l'utilisation sécurisée de l'appareil et qu'ils aient compris les risques impliqués. Il est déconseillé de laisser les enfants jouer avec l'appareil. Le nettoyage et l'entretien ne doivent pas être effectués par un enfant sans surveillance.

L'appareil ne doit être utilisé qu'avec le bloc d'alimentation fourni avec l'appareil.

Cet aspirateur n'est pas un jouet. Les enfants ne peuvent pas jouer avec ou utiliser ce produit. Veuillez faire attention lorsque vous utilisez l'aspirateur près d'enfants. Ne laissez pas les enfants nettoyer ou effectuer une maintenance de l'aspirateur, sauf s'ils sont sous la supervision d'un parent ou tuteur.

Utilisez l'aspirateur à l'intérieur, sur des surfaces sèches uniquement. Ce produit ne doit pas être installé, chargé ou utilisé à l'extérieur, dans une salle de bains ou autour d'une piscine.

Ne touchez pas la prise, ni aucun élément de l'aspirateur avec des mains humides.

Afin de réduire le risque d'incendie, d'explosion ou de blessure corporelle, veuillez vérifier que la batterie lithium-ion et le chargeur ne sont pas endommagés avant utilisation. N'utilisez pas l'aspirateur si la batterie ou le chargeur n'est pas en bon état.

La barre de brosse à couple élevé, la mini brosse électrique, la batterie, la tige de rallonge et l'aspirateur sont conducteurs d'électricité et ne doivent pas être immergés dans l'eau ou tout autre liquide. Vérifiez que toutes les pièces sont complètement sèches après les avoir nettoyées.

Afin d'éviter toute blessure causée par les pièces mobiles, éteignez l'aspirateur avant de nettoyer la barre de brosse à couple élevé et la mini brosse électrique. La barre de brosse à couple élevé, le compartiment à poussière et le filtre doivent être installés correctement avant utilisation de l'aspirateur.

Utilisez uniquement le chargeur d'origine (modèle : BLJ24W308080P-V) fourni avec ce produit.

Consignes relatives à la sécurité

Utilisez uniquement le type de batterie approuvé (modèle P2045-7S1P-BC/P2045-7S1P-BCA/P2045-7S1P-BCB/P2046-7S1P-BC/P2046-7S1P-BCA).

Si cette consigne n'est pas respectée, la batterie lithium-ion risque de prendre feu.

Si le chargeur ou la batterie est endommagé(e), vous devez le/la remplacer par une pièce dédiée achetée auprès du fabricant ou de son service après-vente.

N'utilisez pas l'aspirateur pour aspirer des liquides inflammables ou combustibles, comme de l'essence, de l'eau de javel, de l'ammoniac, des nettoyants pour canalisations ou tout autre liquide, y compris de l'eau.

N'utilisez pas l'aspirateur pour aspirer des particules de plâtre, des cendres, des matériaux de combustion ou des substances fumigènes, tels que du charbon, des mégots de cigarette ou des allumettes.

N'utilisez pas l'aspirateur pour aspirer des objets durs ou pointus, comme du verre, des clous, des vis ou des pièces de monnaie, sous peine d'endommager le produit.

Gardez les cheveux, les vêtements, les doigts ou autre partie du corps à l'écart des éléments mobiles ou pouvant s'ouvrir. Ne pointez pas le suceur, le tube ni tout autre accessoire vers vos yeux ou vos oreilles. Ne les mettez pas dans votre bouche.

Ne placez aucun objet dans les orifices de l'aspirateur. N'utilisez pas l'aspirateur en cas d'obstruction d'un des orifices. Retirez la poussière, les peluches, les cheveux ou tout autre élément susceptible de réduire le flux d'air.

Ne posez pas l'aspirateur contre une chaise, une table ou toute autre surface instable, car cela pourrait endommager le produit ou entraîner des blessures corporelles. Si l'aspirateur fonctionne mal après être tombé ou avoir été endommagé, veuillez contacter le service après-vente agréé. Ne tentez jamais de démonter l'appareil vous-même.

Utilisez uniquement le chargeur d'origine pour charger le produit dans les environnements avec une température ambiante de 0 à 40 °C. Sinon, la batterie risque de subir des dommages.

Le compartiment à poussière, le préfiltre, l'ensemble cyclone et le filtre doivent être correctement installés avant utilisation de l'aspirateur.

Veillez à débrancher l'aspirateur lorsqu'il n'est pas utilisé pendant une période prolongée ou avant tout entretien ou toute réparation.

Soyez extrêmement vigilant lorsque vous utilisez l'aspirateur pour nettoyer un escalier.

Avertissement sur le risque d'incendie : N'appliquez aucun parfum sur le filtre de l'aspirateur. Ces types de produits contiennent généralement des produits chimiques inflammables, à cause desquels l'aspirateur pourrait prendre feu.

Quand la batterie n'est pas utilisée, gardez-la à l'écart de tout objet métallique, tels que les trombones, pièces de monnaie, clés, clous ou vis. Mettre les bornes de la batterie en contact augmente le risque d'incendie et de brûlures.

Toute utilisation non conforme peut provoquer des jets de liquide au niveau de la batterie. Éviter tout contact avec le liquide, qui peut provoquer des irritations ou des brûlures. En cas de contact, rincer à l'eau claire. En cas de projection de liquide dans les yeux, consultez un médecin.

Conservez la batterie et l'appareil à l'abri des flammes, qui peuvent entraîner leur explosion.

Conservez la batterie et l'appareil à l'abri de l'eau douce, de l'eau salée et de tout autre liquide. Ne les immergez pas dans le moindre liquide.

Veillez utiliser ce produit conformément aux instructions du Mode d'emploi. Les utilisateurs sont responsables des pertes ou dommages découlant d'une mauvaise utilisation de ce produit.

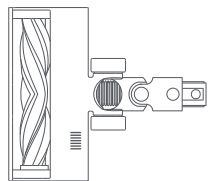
Par la présente, Dreame (Tianjin) Information Technology Co., Ltd., déclarons que cet équipement est conforme aux directives et normes européennes applicables, ainsi qu'à leurs amendements. L'intégralité de la déclaration de conformité pour l'UE est disponible à l'adresse suivante :

<http://www.mi.com/global/service/support/declaration.html>

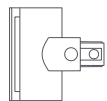
Pour obtenir un manuel électronique détaillé, rendez-vous sur le site www.mi.com/global/service/userguide

Présentation du produit

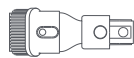
Liste des accessoires



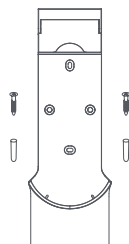
Barre de brosse à couple élevé



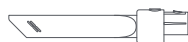
Mini brosse électrique



Suceur brosse 2-en-1



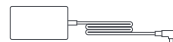
Station de charge et de stockage 2-en-1
(inclut 2 vis, 2 chevilles murales, un patron d'installation autocollant)



Suceur pour fentes



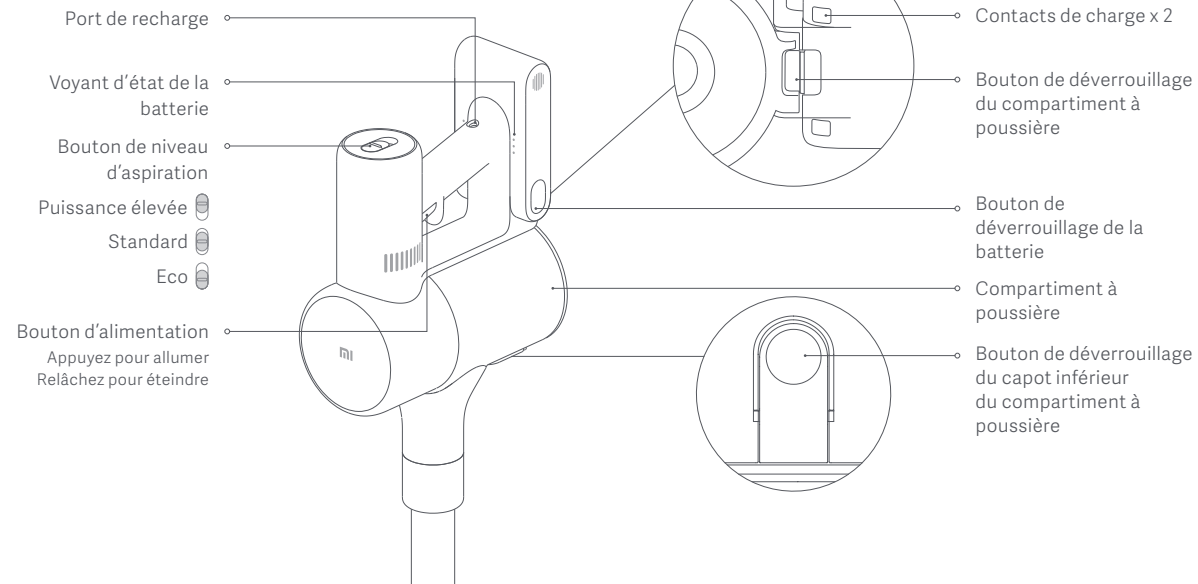
Tige de rallonge



Chargeur

Remarque : Les illustrations du produit, des accessoires et de l'interface utilisateur présentes dans le manuel d'utilisation sont uniquement fournies à titre indicatif. Le produit actuel et les fonctions effectives peuvent varier en raison des améliorations apportées au produit.

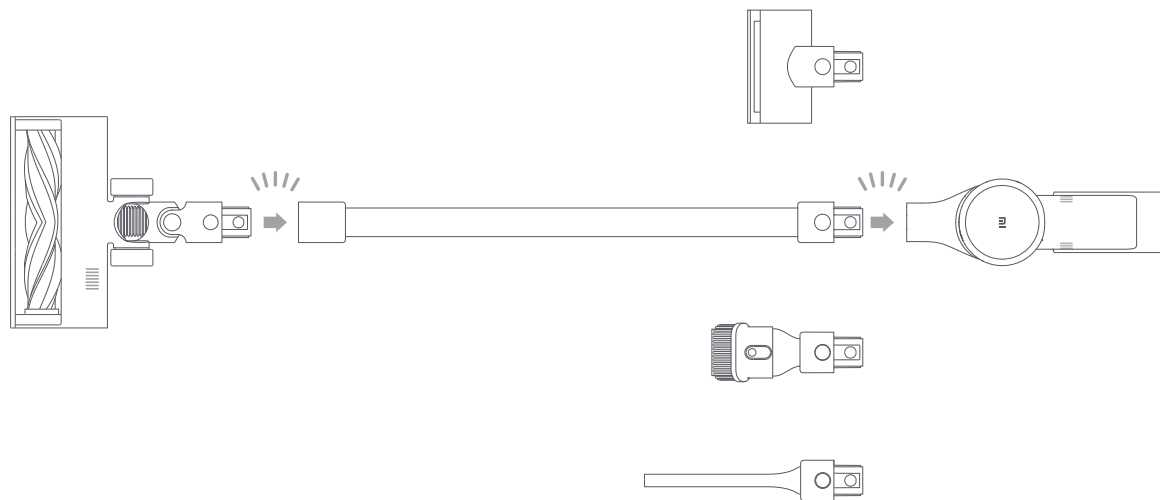
Nom du composant



Procédure d'installation

Installation des accessoires sur l'aspirateur

 Insérez jusqu'à entendre un déclic

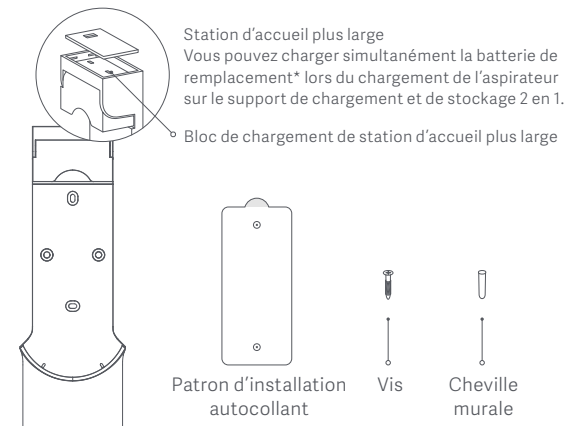


Remarque : La mini brosse électrique ne doit pas être utilisée avec la tige de rallonge.

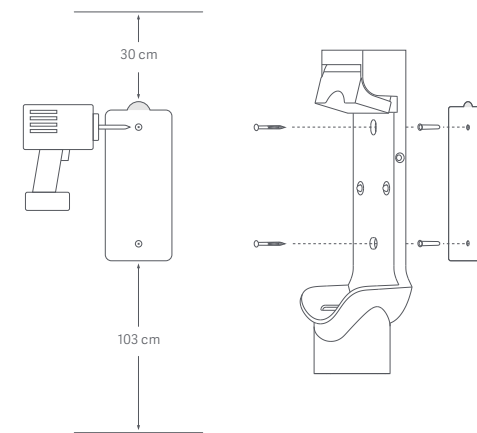
Procédure d'installation

Installation de la station de charge et de stockage 2-en-1

1. La station de charge et de stockage 2-en-1 doit être installée dans un lieu sec et frais, à proximité d'une prise électrique. Avant l'installation, vérifiez qu'il n'y ait pas de fil électrique ou de tuyauterie dans l'espace directement situé derrière l'emplacement où sera placée la station.
2. Le bas du patron d'installation autocollant doit être horizontal et à 1,03 m du sol minimum. Un espace de 30 cm doit être libre au-dessus du patron.



3. Utilisez une perceuse électrique avec une fraise de 8 mm pour percer un trou à chaque emplacement indiqué sur le patron d'installation. Ensuite, insérez une cheville murale dans chaque trou.
4. Alignez les trous de montage sur la station de charge et de stockage 2-en-1 et ceux percés dans le mur. Fixez la station au mur à l'aide des vis fournies.



Hauteur recommandée : Au minimum 1,03 mètre du sol

Recharge

Voyant d'état de la batterie

○ Arrêt ☀ Clignotant ● Marche

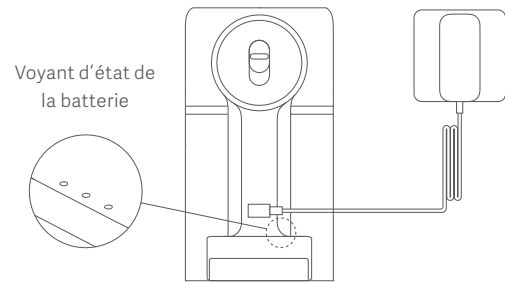
☀ ○ ○ Batterie faible

● ☀ ○ Batterie à moitié vide

● ● ☀ Batterie presque pleine

● ● ● Entièrement chargée

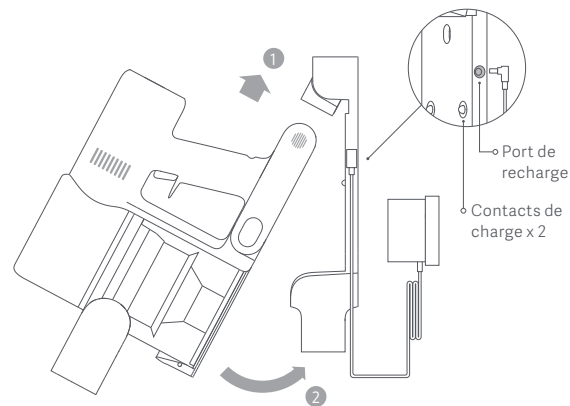
Une fois l'aspirateur entièrement chargé, le voyant s'éteint au bout de 5 minutes et l'appareil passe en mode économie d'énergie.



Recharge de l'aspirateur avec le chargeur

Remarques :

- Chargez entièrement la batterie de l'aspirateur avant la première utilisation. Cette opération dure environ 3,5 heures.
- L'aspirateur ne peut pas être utilisé pendant la charge.
- Le fonctionnement de l'appareil au plus haut niveau d'aspiration pendant une période prolongée peut entraîner la surchauffe de la batterie, ce qui est susceptible d'augmenter le temps de charge. Avant de recharger l'aspirateur, il est préférable de le laisser refroidir pendant 30 minutes.

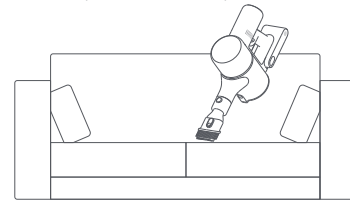


Recharge de l'aspirateur sur la station de charge

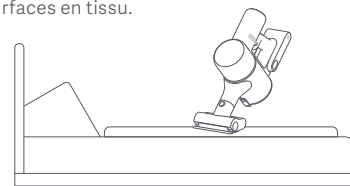
Utilisation

Utilisation des différents accessoires

Suceur brosse 2-en-1 : Pour l'aspiration de rideaux, canapés, intérieur de véhicules, tables de salon, etc.



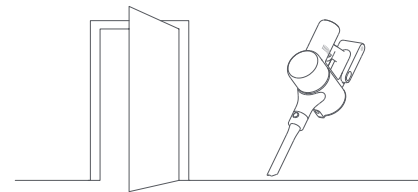
Mini brosse électrique : Pour l'aspiration de poussière, poils d'animaux et autres résidus tenaces sur des canapés, linges de lit et autres surfaces en tissu.



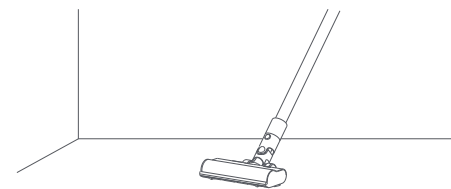
Remarque :

- Si un pièce rotative se coince, l'aspirateur est susceptible de s'éteindre automatiquement. Retirez tout objet coincé dans l'aspirateur, puis poursuivez votre utilisation.
- Quand le moteur surchauffe en fonctionnement, l'aspirateur s'éteint automatiquement. Attendez que la température de la batterie revienne à un niveau normal, puis poursuivez votre utilisation.

Suceur pour fentes : Pour l'aspiration de fentes étroites et autour des portes, fenêtres, plinthes, ainsi que dans les coins, les escaliers, etc.



Barre de brosse à couple élevé : Pour le nettoyage de différents types de sols (bois, marbre, carrelage et moquette).



Remarque :

- La barre de brosse à couple élevé peut être attachée directement à l'aspirateur.

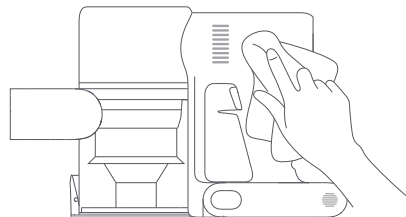
Entretien et maintenance

Précautions concernant la maintenance

- Utilisez toujours des pièces d'origine, faute de quoi la garantie pourrait être annulée.
- En cas d'obstruction du filtre, de la tige de rallonge ou de la barre de brosse à couple élevé, l'aspirateur s'arrête rapidement de fonctionner. Nettoyez l'élément encombré afin de rétablir son fonctionnement.
- Si vous ne prévoyez pas d'utiliser l'aspirateur pendant une période prolongée, chargez-le entièrement, débranchez-le, puis entreposez-le dans un endroit frais, à l'abri de l'humidité et de la lumière directe du soleil. Afin d'éviter une décharge excessive de la batterie, rechargez l'aspirateur au moins une fois tous les trois mois.

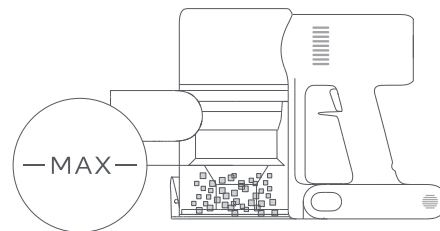
Nettoyage de l'aspirateur Vacuum Cleaner

Essuyez l'aspirateur avec un chiffon doux et sec.

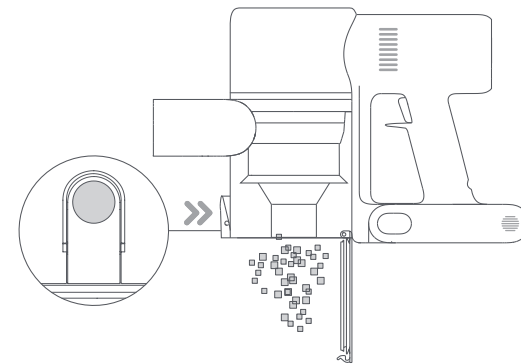


Nettoyage du compartiment à poussière, du préfiltre et de l'ensemble cyclone

1. La capacité de nettoyage de l'aspirateur diminuera si le compartiment à poussière est rempli jusqu'au niveau « MAX ». Videz-le pour améliorer les performances. Avant de vider le compartiment, assurez-vous d'avoir bien débranché l'aspirateur et n'appuyez pas sur le bouton marche/arrêt.

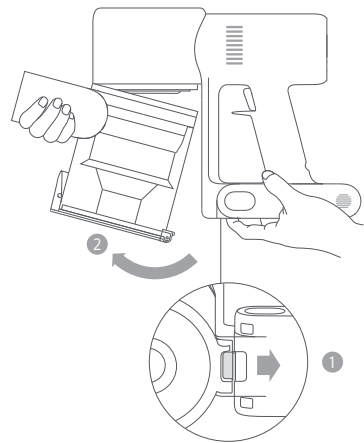


2. Appuyez sur le bouton de déverrouillage du capot inférieur du compartiment à poussière, puis videz celui-ci.



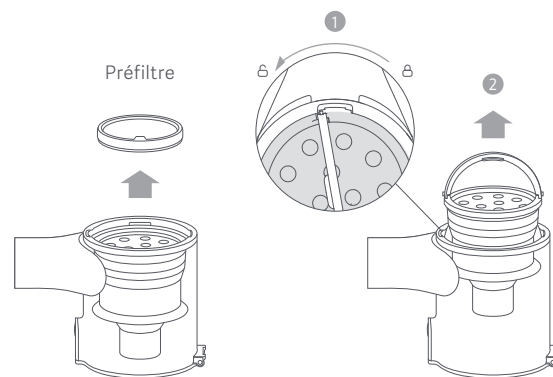
Entretien et maintenance

3. Poussez l'interrupteur de déverrouillage du compartiment à poussière dans la direction indiquée par la flèche, puis retirez délicatement le compartiment à poussière de l'aspirateur.

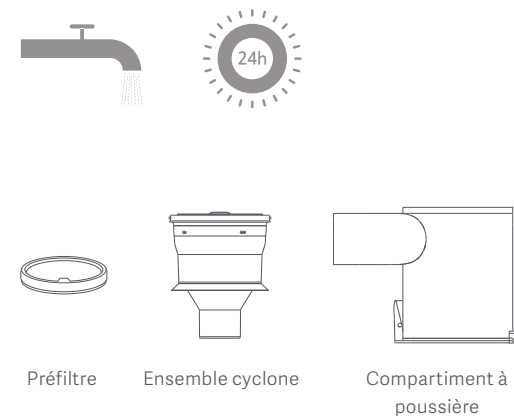


Bouton de déverrouillage du compartiment à poussière

4. Retirez d'abord le préfiltre, puis levez la poignée de l'ensemble cyclone et tournez-la dans le sens inverse des aiguilles d'une montre jusqu'à ce qu'elle ne puisse plus tourner. Tirez ensuite pour soulever l'ensemble cyclone.



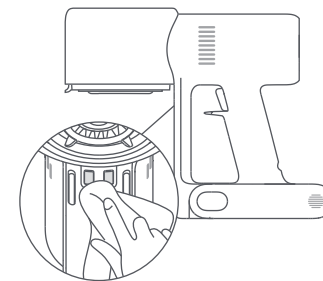
5. Rincez le préfiltre, l'ensemble cyclone et le compartiment à poussière avec de l'eau jusqu'à ce qu'ils soient propres. Ensuite, laissez les composants sécher pendant au moins 24 heures.



Remarques :

- Le compartiment à poussière doit être rincé au moins une fois par mois.
- Le préfiltre et l'ensemble cyclone doivent être nettoyés une fois tous les 3 à 4 mois.

6. Essuyez les points de contact de l'aspirateur avec un chiffon doux et sec s'ils sont sales.



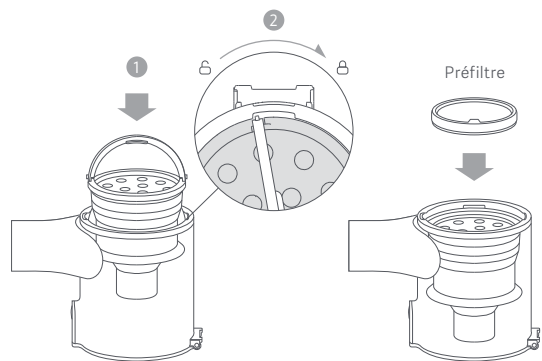
Remarques :

- N'utilisez pas de détergents, cirages ou désodorisants pour rincer le compartiment à poussière.
- Ne nettoyez pas le compartiment à poussière, le préfiltre ou l'ensemble cyclone dans un lave-vaisselle ou un lave-linge. Ne séchez pas les pièces dans un sèche-linge, un four, un four à micro-ondes ou dans un endroit à proximité d'une flamme nue.

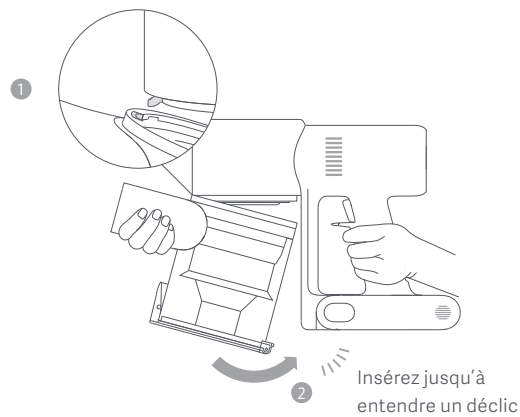
Entretien et maintenance

Installation du compartiment à poussière, du préfiltre et de l'ensemble cyclone

1. Insérez l'ensemble cyclone à la verticale dans le compartiment à poussière. Assurez-vous que la poignée de l'ensemble cyclone est alignée avec l'encoche située à gauche du compartiment à poussière. Tournez la poignée dans le sens des aiguilles d'une montre jusqu'à ce qu'elle se verrouille, puis rabattez-la.
2. Placez le préfiltre face vers le haut dans l'ensemble cyclone.



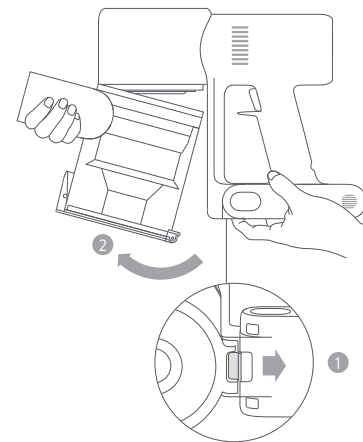
3. Inclinez légèrement le compartiment à poussière pour que son encoche soit alignée avec le clip sur l'aspirateur. Enfoncez délicatement le compartiment à poussière jusqu'à entendre un dé clic.



Nettoyage du filtre

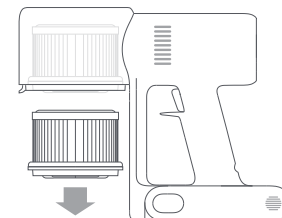
Remarque : Il est recommandé de nettoyer le filtre tous les 4 à 6 mois.

1. Retirez le compartiment à poussière comme illustré sur le schéma.



Bouton de déverrouillage du compartiment à poussière

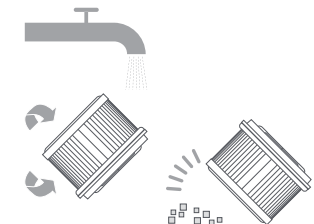
2. Retirez le filtre de l'aspirateur en tirant dessus, dans la direction indiquée sur le schéma.



3. Nettoyez le filtre avec de l'eau claire. Assurez-vous de faire pivoter le filtre à 360° afin de bien éliminer toute poussière coincée dedans. Tapotez légèrement le filtre plusieurs fois pour éliminer tout excès de poussière.

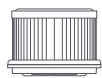
Remarques :

- Pour nettoyer le filtre, n'utilisez que de l'eau claire. N'utilisez pas de détergents.
- N'essayez pas de nettoyer le filtre avec une brosse ou vos doigts.



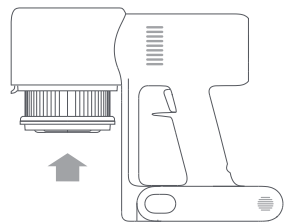
Entretien et maintenance

4. Laissez le filtre sécher complètement pendant au moins 24 heures.

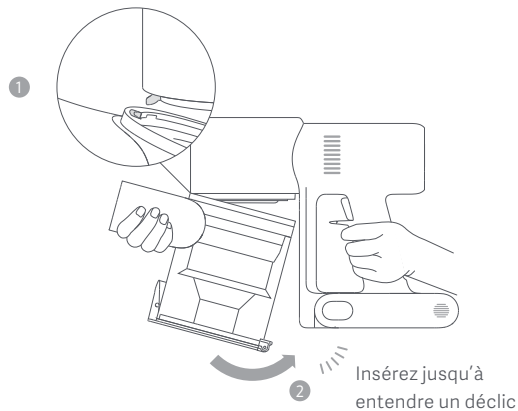


Installation du filtre

1. Insérez le filtre dans l'aspirateur et enfoncez-le délicatement, comme indiqué sur le schéma.

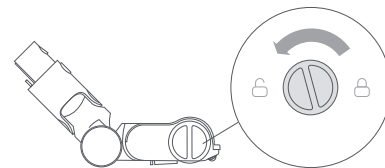


2. Réinstallez le compartiment à poussière.

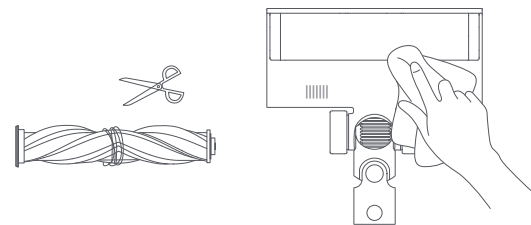


Nettoyage de la barre de brosse à couple élevé

1. Tournez le verrou dans le sens inverse des aiguilles d'une montre jusqu'à ne plus pouvoir le tourner, puis retirez la brosse à roulette de la barre de brosse à couple élevé.



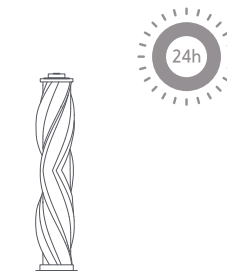
2. À l'aide de ciseaux, coupez et enlevez tout cheveu, poil ou autre saleté enroulé autour de la brosse à roulette. Enlevez tout excès de poussière de l'encoche et du couvercle en plastique transparent à l'aide d'un chiffon sec ou de papier absorbant.



3. Après un usage prolongé, la brosse à roulette peut être sale et doit être nettoyée.



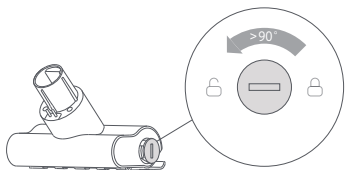
4. Après nettoyage de la brosse à roulette, laissez-la sécher complètement à la verticale dans un endroit bien aéré pendant au moins 24 heures.



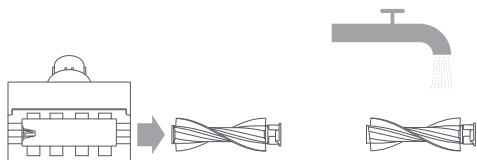
Entretien et maintenance

Nettoyage de la mini brosse électrique

1. Utilisez une pièce de monnaie pour faire tourner le verrou dans le sens inverse des aiguilles d'une montre jusqu'à entendre un déclic.



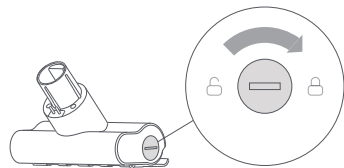
2. Une fois la brosse à roulette déverrouillée, retirez-la de la mini brosse électrique, puis rincez et nettoyez la brosse à roulette.



3. Après nettoyage de la brosse à roulette, laissez-la sécher complètement à la verticale dans un endroit bien aéré pendant au moins 24 heures.



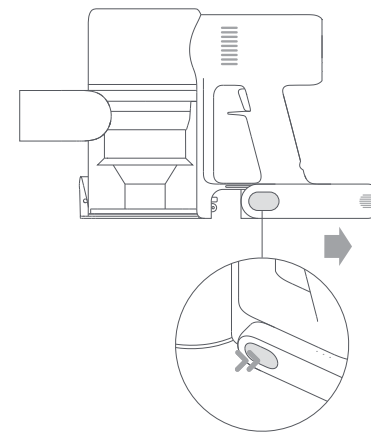
4. Dès que la brosse à roulette est sèche, réinstallez-la en suivant la procédure de démontage dans l'ordre inverse.



Batterie

L'aspirateur contient une batterie lithium-ion rechargeable disposant d'un nombre limité de cycles de charge. Après un usage prolongé, la batterie est susceptible de se décharger rapidement. Si c'est le cas, cela signifie que la batterie est arrivée au bout de sa durée de vie et doit être remplacée.

1. Appuyez sur le bouton de déverrouillage de la batterie et faites-la glisser vers la droite pour la retirer, comme illustré sur le schéma.
2. Installez la nouvelle batterie.



Caractéristiques

Aspirateur sans fil			
Modèle	MJSCXCQ1T	Tension nominale	25,2 V ===
Tension de charge	30,8 V ===	Capacité nominale	2500 mAh
Puissance nominale	400 W	Capacité du compartiment à poussière	Max. 0,6 L
Temps de Charge	Environ 3,5 heures	Poids net	3,8 kg
Dimensions du produit	1286 × 214 × 256 mm		

Barre de brosse à couple élevé		Mini brosse électrique	
Modèle	G9-01	Modèle	1C-02
Puissance nominale	40 W	Puissance nominale	20 W
Tension nominale	25,2 V ===	Tension nominale	25,2 V ===

Chargeur			
Fabricant	Zhongshan Baolijin Electronic Co., Ltd.	Efficacité active moyenne	87.5%
Modèle	BLJ24W308080P-V	Efficacité à charge faible (10%)	77.9%
Entrée	100-240 V~ 50/60 Hz 0,8 A	Consommation d'énergie sans charge	0,10 W
Sortie	30,8 V=== 0,8 A 24,6 W		

Batterie rechargeable lithium-ion			
Modèle de la batterie	P2045-7S1P-BC/P2045-7S1P-BCA/P2045-7S1P-BCB	Puissance nominale	2 500 mAh
Tension nominale	25,2 V ===	Capacité nominale	2 400 mAh
Énergie	60,48 Wh		

La batterie lithium-ion contient des substances dangereuses pour l'environnement. Avant de mettre l'aspirateur au rebut, retirez d'abord la batterie pour la jeter ou la recycler conformément à la législation et à la réglementation locales du pays ou de la région dans lequel ou laquelle il est utilisé.

Informations DEEE

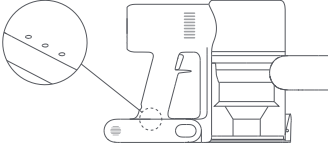





Tous les produits portant ce symbole deviennent des déchets d'équipements électriques et électroniques (DEEE dans la Directive européenne 2012/19/UE) qui ne doivent pas être mélangés aux déchets ménagers non triés. Vous devez contribuer à la protection de l'environnement et de la santé humaine en apportant l'équipement usagé à un point de collecte dédié au recyclage des équipements électriques et électroniques, agréé par le gouvernement ou les autorités locales. Le recyclage et la destruction appropriés permettront d'éviter tout impact potentiellement négatif sur l'environnement et la santé humaine. Contactez l'installateur ou les autorités locales pour obtenir plus d'informations concernant l'emplacement ainsi que les conditions d'utilisation de ce type de point de collecte.

FAQ

Erreur	Cause possible	Solution
L'aspirateur ne fonctionne pas.	La batterie est déchargée ou faible.	Rechargez complètement l'aspirateur avant de reprendre votre utilisation.
	Le mode de protection contre la surchauffe se déclenche suite à une obstruction.	Attendez que l'aspirateur refroidisse, puis réactivez-le.
	L'orifice d'aspiration ou le conduit d'air est obstrué.	Retirez les débris susceptibles de bloquer l'orifice d'aspiration ou le conduit d'air.
La puissance d'aspiration est affaiblie.	Le compartiment à poussière est rempli et/ou le filtre est obstrué.	Videz le compartiment à poussière et nettoyez le filtre.
	La barre de brosse à couple élevé, la tige de rallonge ou d'autres pièces sont bloquées.	Retirez tout débris responsable de l'obstruction de la barre de brosse à couple élevé, de la tige de rallonge ou d'autres pièces.
Le moteur fait un bruit anormal.	L'orifice d'aspiration principal ou la tige de rallonge est obstrué(e).	Retirez les débris susceptibles de bloquer le suceur principal ou la tige de rallonge.
Le premier voyant est rouge après avoir allumé l'aspirateur.	La batterie est endommagée.	Contactez le service après-vente pour assurer la maintenance.
Le premier voyant clignote en rouge quand l'aspirateur est en charge.	Le chargeur n'est pas compatible.	Utilisez uniquement le chargeur d'origine pour recharger l'aspirateur.

Erreur	Cause possible	Solution
Le voyant de batterie ne s'allume pas lorsque l'aspirateur est en charge.	Le chargeur n'est pas connecté à l'aspirateur.	Assurez-vous que le chargeur est branché correctement.
	La batterie est complètement chargée et l'appareil est passé en mode veille.	L'aspirateur peut être utilisé normalement.
	Si le problème persiste après avoir écarté les deux possibilités ci-dessus, contactez le service après-vente qui vous aidera.	
La batterie charge lentement.	La température de la batterie est trop basse ou trop élevée.	Attendez que la température de la batterie revienne à un niveau normal, puis reprenez votre session de nettoyage.

Description de l'erreur du voyant d'état de la batterie				
Si une erreur survient, l'aspirateur cessera de fonctionner et le voyant clignotera en blanc. Veuillez vous référer aux informations ci-dessous pour trouver votre solution.				
État de l'aspirateur	État du voyant	Description des voyants	Cause possible	Solution
L'aspirateur cesse soudainement de fonctionner.		Le premier voyant clignote en blanc pendant 5 secondes, puis s'éteint.	Batterie épuisée	Rechargez l'appareil rapidement.
		Le premier et le deuxième voyants clignotent simultanément en blanc pendant 5 secondes, puis s'éteignent.	La brosse du rouleau est coincée	Consultez la rubrique « Nettoyage de la barre de brosse à couple élevé » dans la section « Entretien et maintenance », où vous trouverez des instructions pour retirer les cheveux, poils et saletés coincés dans la brosse à roulette.
		Les trois voyants clignotent simultanément en blanc pendant 5 secondes, puis s'éteignent.	Conduit d'air obstrué	Vérifiez si des débris sont coincés dans le compartiment à poussière, la tige de rallonge et/ou la barre de brosse à couple élevé.

Dieses Produkt ist nur für den Betrieb im Haushalt gedacht. Lesen Sie diese Handbuch vor der Verwendung sorgfältig und bewahren Sie es auf, um zukünftig die Informationen nachlesen zu können.

Dieses Gerät ist für Kinder ab einem Alter von 8 Jahren und Personen geeignet, die körperlich, sensorisch oder geistig behindert sind oder nicht über ausreichend Erfahrung oder Kenntnisse verfügen, wenn sie eine Beaufsichtigung oder Anweisung zur Nutzung des Geräts im Hinblick auf Sicherheit erfahren haben und wissen, welche Gefahren auftreten können. Kinder dürfen nicht mit dem Gerät spielen. Kinder dürfen die Reinigung und Wartung nur unter Aufsicht vornehmen.

Das Gerät darf nur mit dem zum Gerät mitgelieferten Netzteil verwendet werden.

Der Staubsauger ist kein Spielzeug. Kinder dürfen nicht mit diesem Produkt spielen oder es benutzen.

Bitte seien Sie vorsichtig, wenn Sie den Staubsauger in der Nähe von Kindern benutzen. Gestatten Sie es Kindern nicht, den Staubsauger zu reinigen oder zu warten, außer unter Aufsicht eines Elternteils oder Erziehungsberechtigten.

Der Staubsauger darf nur in Innenräumen und auf trockenen Oberflächen benutzt werden. Dieses Produkt darf nicht im Freien, in Badezimmern oder in der Nähe eines Schwimmbekens installiert, geladen oder benutzt werden.

Der Stecker und der Staubsauger dürfen nicht mit nassen Händen berührt werden.

Um die Gefahr von Bränden, Explosionen und Verletzungen zu verringern, sollten Sie vor der Benutzung sicherstellen, dass der Lithium-Ionen-Akku und das Ladegerät unbeschädigt sind. Der Staubsauger darf nicht benutzt werden, wenn der Akku oder das Ladegerät beschädigt ist.

Die Hochleistungs-Bürstenrolle, die elektrische Mini-Bürste, der Akku, das Verlängerungsrohr und der Staubsauger sind elektrisch leitfähig und sollten nicht in Wasser oder andere Flüssigkeiten getaucht werden. Stellen Sie nach dem Reinigen von Teilen sicher, dass diese vollständig trocken sind.

Um Verletzungen durch bewegliche Teile zu vermeiden, müssen Sie den Staubsauger vor der Säuberung der Hochleistungs-Bürstenrolle und der elektrischen Mini-Bürste ausschalten. Die Hochleistungs-Bürstenrolle, der Staubbehälter und der Filter müssen vor Benutzung des Staubsaugers ordnungsgemäß installiert sein. Verwenden Sie nur das Original-Ladegerät (Modell: BLJ24W308080P-V) das diesem Produkt beiliegt.

Sicherheitshinweise

Verwenden Sie nur den zugelassenen Akkutyp (Modell P2045-7S1P-BC/P2045-7S1P-BCA/P2045-7S1P-BCB/P2046-7S1P-BC/P2046-7S1P-BCA).

Wenn das Netzkabel oder der Akku beschädigt werden sollte, müssen diese durch Original-Ersatzteile ersetzt werden, die vom Hersteller oder der Kundendienstabteilung erworben wurden.

Der Staubsauger darf nicht benutzt werden, um brennbare oder entzündliche Flüssigkeiten wie Benzin, Bleiche, Ammoniak, Abflussreiniger oder andere Flüssigkeiten (z. B. Wasser) aufzusaugen.

Der Staubsauger darf nicht benutzt werden, um Rigipspartikel, Asche (z. B. Kaminasche) oder Rauch- oder Brennmaterialien wie Kohle, Zigarettenstummel oder Streichhölzer aufzusaugen.

Der Staubsauger darf nicht benutzt werden, um scharfe oder harte Objekte wie Glas, Nägel, Schrauben oder Münzen aufzusaugen, da dies zu Schäden am Produkt führen kann.

Halten Sie Ihre Haare, Kleidung, Finger und anderen Körperteile von den Öffnungen und beweglichen Teilen fern. Richten Sie die Saugöffnung, das Verlängerungsrohr oder anderes Zubehör nicht auf Ihre Augen oder Ohren und nehmen Sie sie nicht in den Mund.

Stecken Sie keine Gegenstände in die Öffnungen des Staubsaugers und benutzen Sie den Staubsauger nicht, wenn Öffnungen blockiert sind. Halten Sie das Gerät frei von Staub, Fusseln, Haaren oder anderen Gegenständen, die den Luftstrom behindern könnten.

Lehnen Sie den Staubsauger nicht gegen einen Stuhl, Tisch oder andere instabile Oberflächen, da dies zu Schäden am Produkt oder zu Verletzungen führen kann. Wenn der Staubsauger aufgrund von Stößen oder Beschädigungen nicht mehr funktioniert, wenden Sie sich bitte an die autorisierte Serviceabteilung.

Versuchen Sie nicht, den Staubsauger selbst zu zerlegen.

Alle Anweisungen des Benutzerhandbuchs zum Wiederaufladen des Produkts müssen streng beachtet werden. Der Akku kann beschädigt werden, wenn der Staubsauger nicht innerhalb des angegebenen Temperaturbereichs korrekt aufgeladen wird.

Das Produkt darf ausschließlich mit dem Original-Ladegerät und nur in Umgebungen mit einer Umgebungstemperatur von 0°C bis 40°C geladen werden. Andernfalls kann der Akku beschädigt werden.

Der Deckel des Staubbehälters, der Vorfilter, die Zyklon-Baugruppe und der Filter müssen vor dem Gebrauch des Staubsaugers ordnungsgemäß installiert sein.

Der Deckel des Staubbehälters, der Vorfilter, die Zyklon-Baugruppe und der Filter müssen vor dem Gebrauch des Staubsaugers ordnungsgemäß installiert sein.

Stellen Sie sicher, dass der Staubsauger nicht mit dem Stromnetz verbunden ist, wenn Sie ihn über längere Zeit nicht benutzen. Der Staubsauger muss außerdem vom Stromnetz getrennt werden, bevor Wartungs- und Reparaturarbeiten erfolgen.

Bitte seien Sie besonders vorsichtig, wenn Sie den Staubsauger zur Treppenreinigung verwenden.

Warnung vor Brandgefahr: Auf den Filter des Staubsaugers dürfen keinesfalls Duftstoffe aufgetragen werden.

Diese Art von Produkten enthält häufig brennbare Chemikalien, die dazu führen könnten, dass das Gerät Feuer fängt.

Wenn der Akku nicht in Gebrauch ist, halten Sie ihn von allen Metallgegenständen wie Büroklammern, Münzen, Schlüsseln, Nägeln und Schrauben fern. Das Kurzschließen der Pole des Akkus kann zu Verbrennungen oder Bränden führen.

Bei missbräuchlicher oder unsachgemäßer Behandlung kann Flüssigkeit aus dem Akku austreten. Vermeiden Sie den Kontakt mit der Flüssigkeit, da diese zu Reizungen oder Verbrennungen führen kann. Falls ein Kontakt erfolgt, sollten Sie die entsprechende Stelle mit Wasser abspülen. Falls Flüssigkeit in die Augen gelangt, sollten Sie unbedingt medizinische Hilfe aufsuchen.

Setzen Sie den Akku und das Gerät auf keinen Fall Feuer aus, da dies zur Explosion führen kann.

Sie dürfen den Akku und das Gerät nicht in Wasser, Salzwasser oder andere Flüssigkeiten eintauchen oder diesen aussetzen.

Bitte verwenden Sie das Produkt gemäß den Anweisungen im Benutzerhandbuch. Der Benutzer ist für jeglichen Verlust oder Schaden verantwortlich, der aufgrund inkorrektur Verwendung dieses Produkts entsteht.

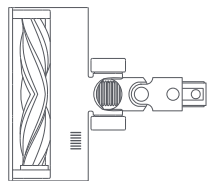
Wir, Dreame (Tianjin) Information Technology Co., Ltd., bestätigen hiermit, dass dieses Gerät mit den geltenden Verordnungen und europäischen Normen sowie etwaigen Ergänzungen in Einklang steht. Der vollständige Wortlaut der EU-Konformitätserklärung ist unter der folgenden Internetadresse abrufbar:

<http://www.mi.com/global/service/support/declaration.html>

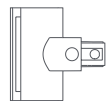
Ein detailliertes elektronisches Handbuch finden Sie unter www.mi.com/global/service/userguide

Produktübersicht

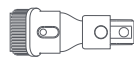
Zubehörliste



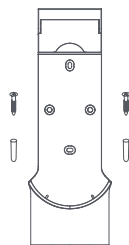
Hochleistungs-Bürstenrolle



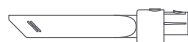
Elektrische Mini-Bürste



2-in-1 Bürstendüse



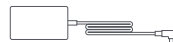
2-in-1 Lade- und Aufbewahrungshalterung
(einschließlich 2 x Schrauben, 2 x Dübel und
Montagevorlage-Aufkleber)



Spaltdüse



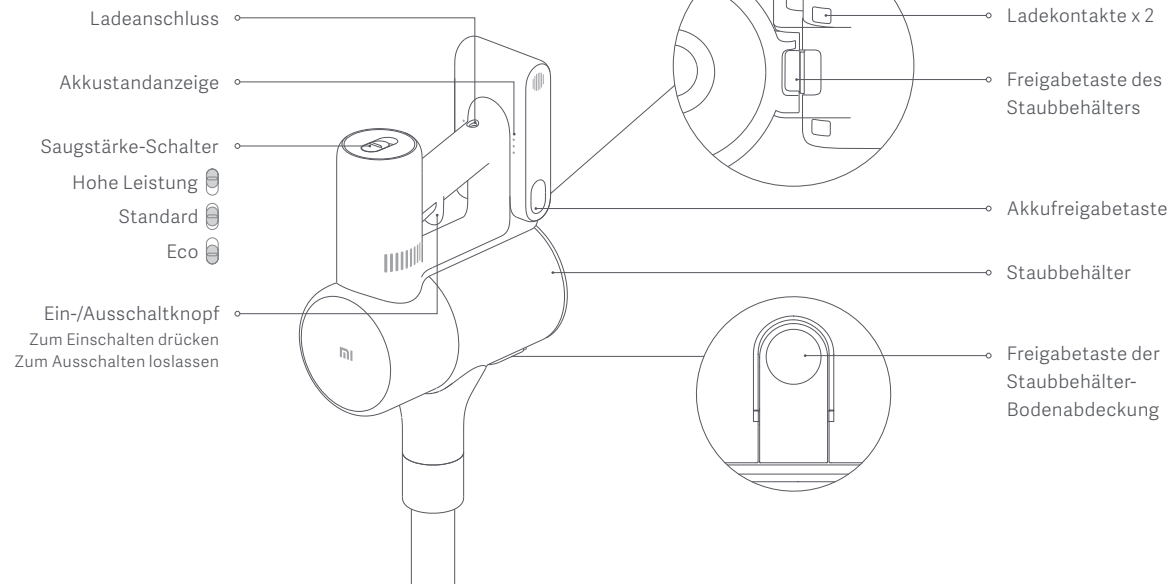
Verlängerungsrohr



Ladegerät

Hinweis: Abbildungen des Produkts, des Zubehörs und der Benutzeroberfläche im Benutzerhandbuch dienen nur als Referenz. Die tatsächlichen Produkte und Funktionen können aufgrund von Produktverbesserungen variieren.

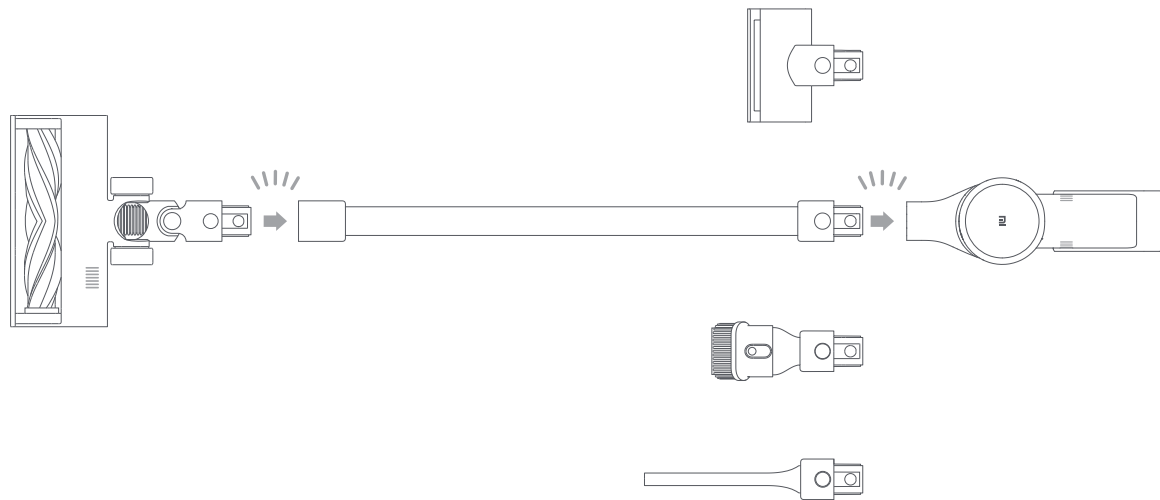
Bauteilbezeichnung



Installation

Installation des Zubehörs am Staubsauger

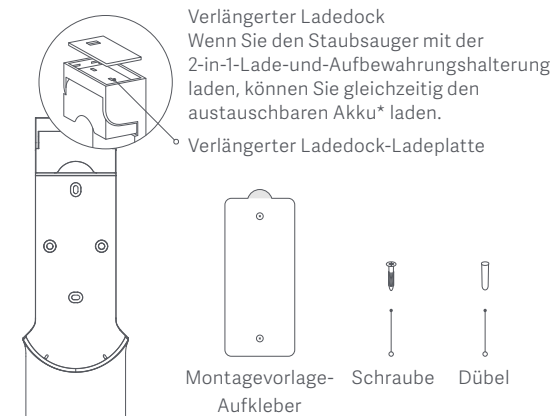
☛ Hineinstecken, bis ein Klick ertönt



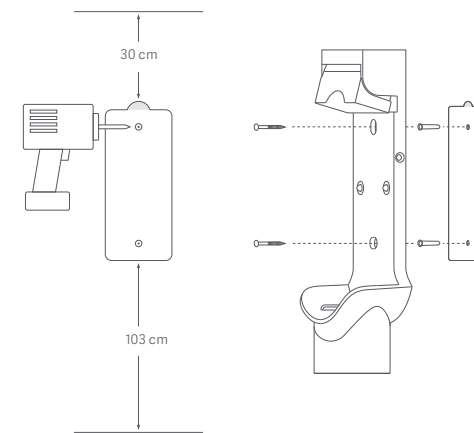
Hinweis: Die elektrische Mini-Bürste sollte nicht mit dem Verlängerungsrohr verwendet werden.

Installation der 2-in-1 Lade- und Aufbewahrungshalterung

1. Die 2-in-1 Lade- und Aufbewahrungshalterung sollte an einem kühlen, trockenen Ort in der Nähe einer Steckdose installiert werden. Vor der Installation sollten Sie sicherstellen, dass sich in dem Raum direkt hinter der Wandoberfläche, an der die Halterung installiert werden soll, keine Kabel oder Drähte befinden.
2. Der untere Rand des Montagevorlage-Aufklebers sollte mindestens 1,03 m über dem Boden und parallel zum Boden sein, und über dem oberen Rand sollte mindestens 30 cm Platz sein.



3. Verwenden Sie eine Bohrmaschine mit einem 8-mm-Bohrer, um ein Loch in jede Lochmarkierung auf dem Montageschablone-Aufkleber zu bohren, und setzen Sie dann in jedes Loch einen Dübel ein.
4. Richten Sie die Befestigungslöcher der 2-in-1 Lade- und Aufbewahrungshalterung mit den Löchern an der Wand aus und befestigen Sie die Halterung dann mit den mitgelieferten Schrauben an der Wand.



Empfohlene Höhe: Mindestens 1,03 m über dem Boden

Ladevorgang läuft

Akkustandanzeige

○ Aus ☀ Blinken ● Ein

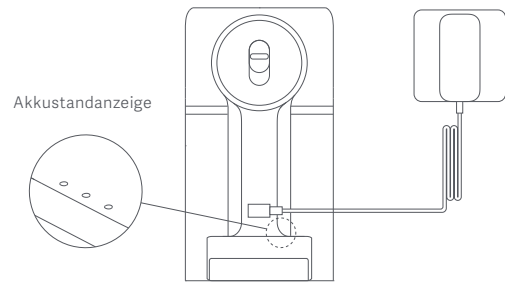
☀ ○ ○ Niedriger Akkustand

● ☀ ○ Akkuladestatus 50 %

● ● ☀ Fast voll

● ● ● Voll aufgeladen

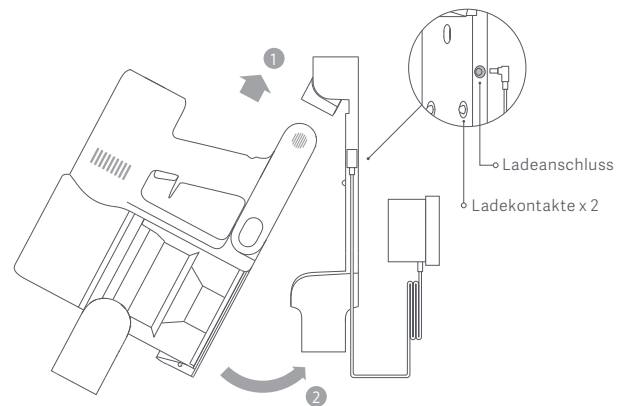
Wenn der Staubsauger vollständig geladen ist, schaltet sich die Anzeige nach 5 Minuten ab und das Gerät wird in den Energieeinsparmodus versetzt.



Laden des Staubsaugers mit dem Ladegerät

Hinweise:

- Vor der erstmaligen Benutzung sollte der Staubsauger voll aufgeladen werden. Dies dauert etwa 3,5 Stunden.
- Der Staubsauger kann während des Ladens nicht benutzt werden.
- Wird der Staubsauger auf der höchsten Saugstufe über längere Zeit benutzt, führt dies zu einer Erhitzung der Batterie, wodurch sich die Ladezeit verlängern kann. Bevor Sie den Staubsauger aufladen, sollte er am besten 30 Minuten lang abkühlen.

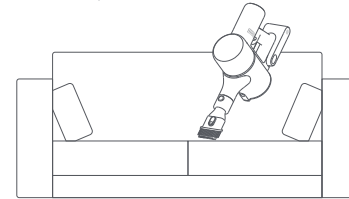


Laden des Staubsaugers in der Ladehalterung

Benutzung

Benutzung verschiedener Zubehörteile

2-in-1 Bürstendüse: Zum Saugen von Vorhängen, Sofas, Fahrzeuginnenräumen, Couchtischen usw.



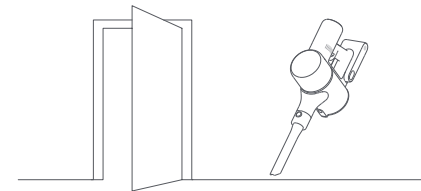
Elektrische Mini-Bürste: Zum Aufsaugen von Schmutz, Tierhaaren und anderen hartnäckigen Ablagerungen von Sofas, Bettzeug und anderen Textiloberflächen.



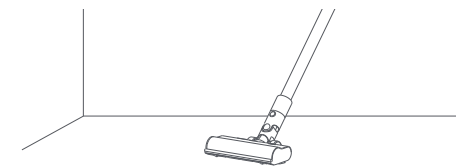
Hinweise:

- Wenn ein rotierendes Teil stecken bleibt, kann es passieren, dass der Staubsauger sich automatisch abschaltet. Entfernen Sie dann etwaige eingeklemmte Fremdkörper und setzen Sie die Benutzung fort.
- Wenn der Motor sich überhitzt, wird der Staubsauger automatisch ausgeschaltet. Bitte warten Sie, bis sich die Temperatur des Akkus normalisiert hat, und setzen Sie erst dann die Benutzung fort.

Spaltendüse: Zum Saugen von engen Spalten und Bereichen um Türen, Fenster, Fußleisten, Ecken, Treppen usw.



Hochleistungs-Bürstenrolle: Zur Reinigung verschiedener Arten von Bodenbelägen wie zum Beispiel Holz, Marmor, Fliesen und Florteppichen ausgelegt.



Hinweis: Die Hochleistungs-Bürstenrolle kann direkt am Staubsauger angebracht werden.

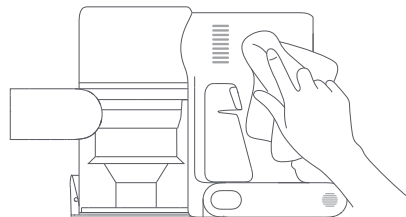
Pflege und Wartung

Sicherheitsregeln für die Wartung

- Verwenden Sie stets Originalteile, um ein Erlöschen der Garantie zu vermeiden.
- Falls der Filter, das Verlängerungsrohr oder die Hochleistungs-Bürstenrolle sich verstopfen, wird der Staubsauger nach kurzer Zeit abgeschaltet. Um die Funktionsfähigkeit wiederherzustellen, muss das verstopfte Teil gesäubert werden.
- Wenn der Staubsauger für eine längere Zeit nicht benutzt werden wird, laden Sie ihn voll auf, trennen Sie ihn vom Netz und lagern ihn an einem kühlen und trockenen Ort ohne direkte Sonneneinstrahlung. Um eine Tiefentladung des Akkus zu vermeiden, sollte der Staubsauger mindestens einmal alle drei Monate aufgeladen werden.

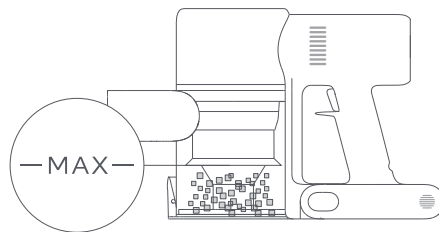
Reinigung des Staubsaugers

Reinigen Sie den Staubsauger mit einem weichen trockenen Tuch.

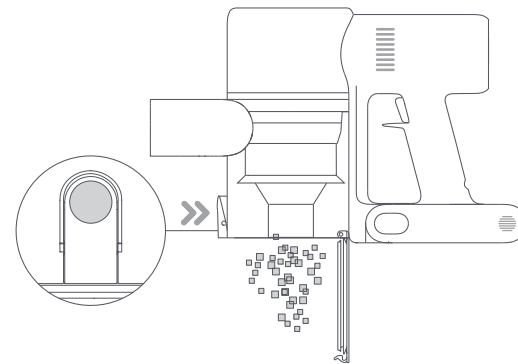


Reinigung des Staubbehälters, des Vorfilters und der Zyklon-Baugruppe

1. Die Reinigungsleistung des Staubsaugers reduziert sich, wenn das Staubabteil bis zur „MAX“-Markierung gefüllt ist. Um die volle Reinigungsleistung wiederherzustellen, sollten Sie den Staubbehälter rechtzeitig leeren. Bevor Sie den Staubbehälter leeren, sollten Sie sicherstellen, dass der Staubsauger von der Stromversorgung getrennt ist. Vermeiden Sie es außerdem, die Einschalttaste zu drücken.

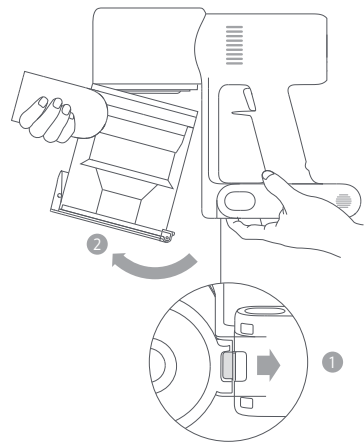


2. Drücken Sie die Entriegelungstaste der Bodenabdeckung des Staubbehälters und entleeren Sie dann den Inhalt.



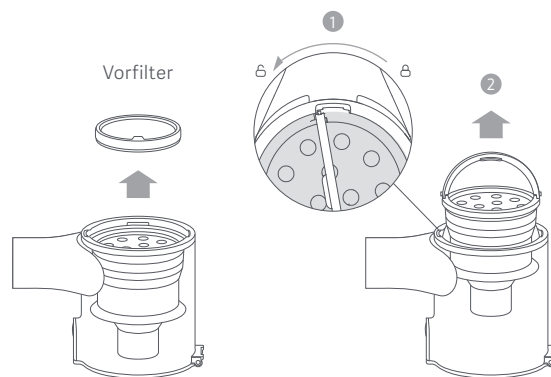
Pflege und Wartung

3. Drücken Sie die Freigabetaste des Staubbehälters in die Pfeilrichtung und nehmen Sie den Staubbehälter vorsichtig aus dem Staubsauger.

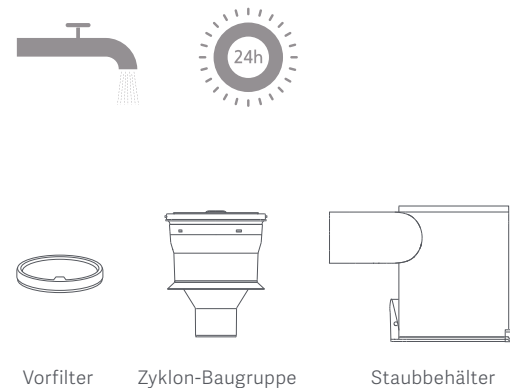


Freigabetaste des Staubbehälters

4. Entfernen Sie die zunächst den Vorfilter, heben Sie dann den Griff der Zyklon-Baugruppe an und drehen Sie ihn gegen den Uhrzeigersinn bis zum Anschlag. Anschließend können Sie die Zyklon-Baugruppe herausheben.



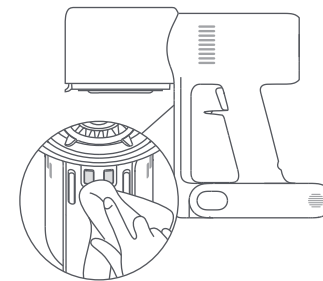
5. Spülen Sie den Vorfilter, die Zyklon-Baugruppe und den Staubbehälter mit Wasser, bis sie sauber sind, und legen Sie dann alle Komponenten mindestens 24 Stunden lang zum gründlichen Trocknen beiseite.



Hinweise:

- Der Staubbehälter sollte mindestens einmal im Monat ausgespült werden.
- Der Vorfilter und die Zyklon-Baugruppe sollten mindestens einmal alle 3 bis 4 Monate gesäubert werden.

6. Reinigen Sie die Kontaktpunkte des Zubehörs mit einem weichen trockenen Tuch, wenn diese schmutzig sind.



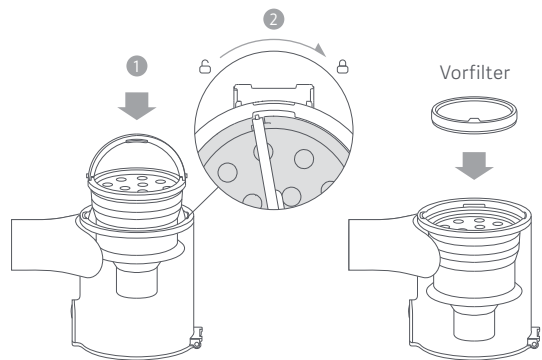
Hinweise:

- Benutzen Sie bei der Reinigung des Staubbehälters keine Reinigungsmittel, Politur oder Lufterfrischer.
- Staubbehälter, Vorfilter und Zyklon-Baugruppe dürfen nicht in einer Spülmaschine oder einer Waschmaschine gereinigt werden. Die Trocknung dieser Komponenten in einem Wäschetrockner, Ofen, einer Mikrowelle oder in der Nähe eines offenen Feuers ist ebenfalls verboten.

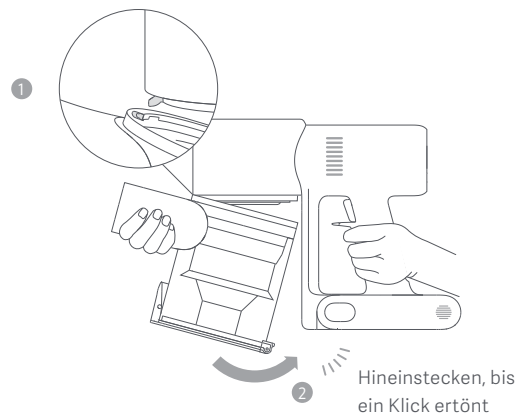
Pflege und Wartung

Installation des Staubbehälters, des Vorfilters und der Zyklon-Baugruppe

1. Setzen Sie die Zyklon-Baugruppe vertikal in den Staubbehälter ein und vergewissern Sie sich, dass der Griff der Zyklon-Baugruppe korrekt mit dem Schlitz auf der linken Seite des Staubbehälters ausgerichtet ist. Drehen Sie den Griff im Uhrzeigersinn, bis er einrastet, und klappen Sie dann den Griff nach unten.
2. Setzen Sie den Vorfilter mit der Vorderseite nach oben in die Zyklon-Baugruppe ein.



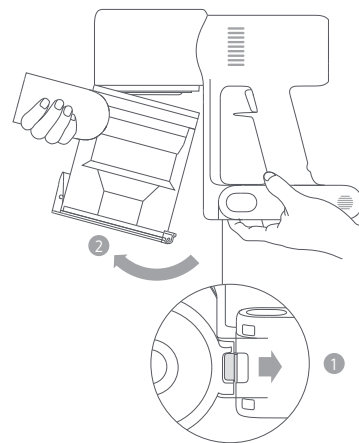
3. Neigen Sie den Staubbehälter leicht, so dass der Schlitz mit dem Clip am Staubsauger ausgerichtet ist. Schieben Sie den Staubbehälter dann vorsichtig hinein, bis er einrastet.



Reinigung des Filters

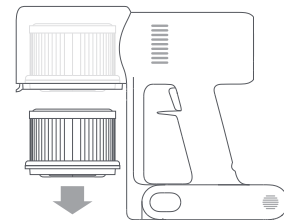
Der Filter sollte alle 4 bis 6 Monate ausgewechselt werden.

1. Entfernen Sie den Staubbehälter wie in der Abbildung dargestellt.



Freigabetaste des Staubbehälters

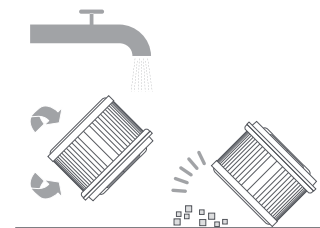
2. Entfernen Sie den Filter aus dem Staubsauger, indem Sie ihn in die in der Abbildung gezeigte Richtung nach unten ziehen.



3. Reinigen Sie den Filter mit sauberem Wasser. Achten Sie darauf, dass Sie den Filter um 360° drehen, um den gesamten im Filter aufgefangenen Staub gründlich zu entfernen. Klopfen Sie mehrmals leicht auf den Filter, um vorhandenen Schmutz zu entfernen.

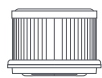
Hinweise:

- Säubern Sie den Filter ausschließlich mit sauberem Wasser. Verwenden Sie keine Reinigungsmittel.
- Versuchen Sie nicht, den Filter mit einer Bürste oder einem Finger zu reinigen.



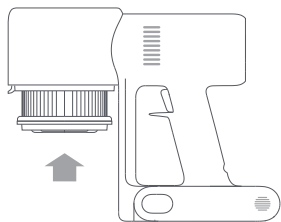
Pflege und Wartung

4. Lassen Sie den Filter mindestens 24 Stunden lang gründlich trocknen.

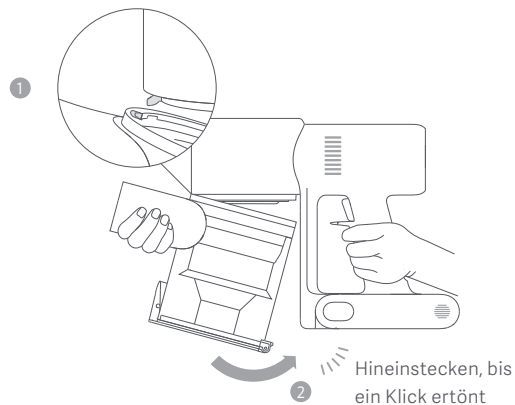


Installation des Filters

1. Setzen Sie den Filter in den Staubsauger ein und drücken Sie ihn vorsichtig nach unten, wie in der Abbildung gezeigt.

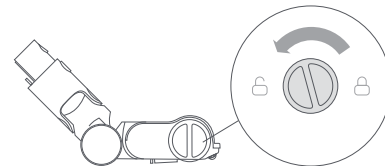


2. Installation des Staubbehälters.

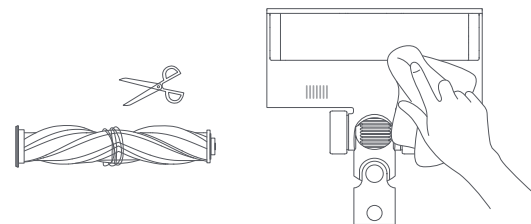


Säuberung der Hochleistungs-Bürstenrolle

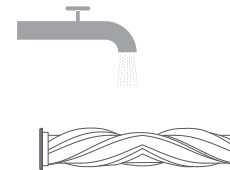
1. Drehen Sie die Verriegelung gegen den Uhrzeigersinn bis zum Anschlag und nehmen Sie dann die Rollbürste von der Hochleistungs-Bürstenrolle ab.



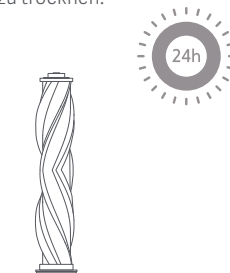
2. Verwenden Sie eine Schere, um Haare oder andere Fremdkörper, die sich um die Rollbürste verfangen haben, abzuschneiden und herauszupicken. Wischen Sie überschüssigen Staub vom Schlitz und der durchsichtigen Plastikabdeckung mit einem trockenen Tuch oder Papiertuch ab.



3. Nach längerem Gebrauch kann die Rollbürste verschmutzt sein und sollte gewaschen werden.



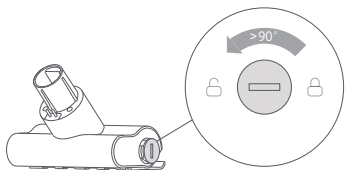
4. Nach der Wäsche sollten Sie die Rollbürste mindestens 24 Stunden in einem gut belüfteten Raum aufrecht stehen lassen, um sie gründlich zu trocknen.



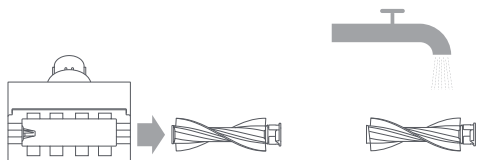
Pflege und Wartung

Reinigung der elektrischen Mini-Bürste

1. Drehen Sie mit Hilfe einer Münze die Verriegelung gegen den Uhrzeigersinn bis zum Klick.



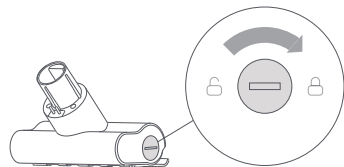
2. Nachdem Sie Rollbürste entriegelt haben, entfernen Sie diese von der elektrischen Mini-Bürste. Spülen und reinigen Sie die Rollbürste.



3. Nach der Wäsche sollten Sie die Rollbürste mindestens 24 Stunden in einem gut belüfteten Raum aufrecht stehen lassen, um sie gründlich zu trocknen.



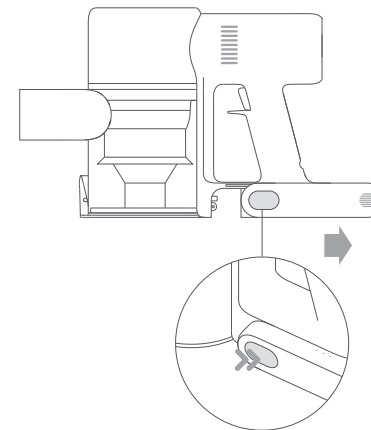
4. Nachdem die Rollbürste getrocknet ist, montieren Sie diese erneut, indem Sie die Ausbau-Schritte in umgekehrter Reihenfolge durchführen.



Akku

Der Staubsauger enthält einen herausnehmbaren, wiederaufladbaren Lithium-Ionen-Akku, der eine begrenzte Anzahl von Ladezyklen hat. Nach längerem Gebrauch kann es geschehen, dass der Akku keine Ladung mehr hält. Wenn dies geschieht, bedeutet dies, dass der Akku das Ende seiner Lebensdauer erreicht hat und ersetzt werden muss.

1. Drücken Sie den Entriegelungsknopf des Akkus nach unten und schieben Sie den Akku, wie in der Abbildung gezeigt, nach rechts, um ihn zu entfernen.
2. Installation des neuen Akkus.



Spezifikationen

Kabelloser Staubsauger			
Modell	MJSCXCQ1T	Nennspannung	25,2 V ---
Ladespannung	30,8 V ---	Nennkapazität	2.500 mAh
Nennleistung	400 W	Kapazität Staubbehälter	Max. 0,6 L
Ladedauer	Ca. 3,5 Stunden	Nettogewicht	3,8 kg
Artikelmaße	1.286 × 214 × 256 mm		

Hochleistungs-Bürstenrolle		Elektrische Mini-Bürste	
Modell	G9-01	Modell	1C-02
Nennleistung	40 W	Nennleistung	20 W
Nennspannung	25,2 V ---	Nennspannung	25,2 V ---

Ladegerät			
Hersteller	Zhongshan Baolijin Electronic Co., Ltd.	Durchschnittliche aktive Effizienz	87,5%
Modell	BLJ24W308080P-V	Effizienz bei geringer Last (10%)	77,9%
Eingang	100-240 V~ 50/60 Hz 0,8 A	Stromverbrauch im lastfreien Zustand	0,10 W
Ausgang	30,8 V--- 0,8 A 24,6 W		

Wiederaufladbarer Lithium-Ionen-Akku			
Akkumodell	P2045-7S1P-BC/P2045-7S1P-BCA/P2045-7S1P-BCB	Nennkapazität	2.500 mAh
Nennspannung	25,2 V ---	Nennleistung	2.400 mAh
Energie	60,48 Wh		

Der Lithium-Ionen-Akku enthält umweltgefährdende Stoffe. Bevor der Staubsauger entsorgt wird, muss zunächst der Akku entfernt werden, anschließend muss in Übereinstimmung mit den lokalen Gesetzen und Vorschriften des Landes oder der Region, in dem er benutzt wurde, eine Entsorgung oder Wiederverwertung stattfinden.

WEEE-Informationen

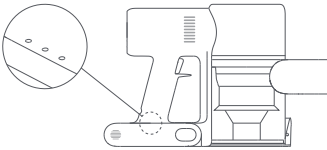





Alle mit diesem Symbol gekennzeichneten Produkte sind Elektroschrott und Elektrogeräte (WEEE entsprechend EU-Richtlinie 2012/19/EU) und dürfen nicht mit unsortiertem Haushaltsmüll vermischt werden. Schützen Sie stattdessen Ihre Mitmenschen und die Umwelt, indem Sie Ihre zu entsorgenden Geräte an eine dafür vorgesehene, von der Regierung oder einer lokalen Behörde eingerichtete Sammelstelle zum Recycling von Elektroschrott und Elektrogeräten bringen. Eine ordnungsgemäße Entsorgung und Recycling helfen, negative Auswirkungen auf die Gesundheit von Umwelt und Menschen zu vermeiden. Wenden Sie sich bitte an den Installateur oder lokale Behörden, um Informationen zum Standort und den allgemeinen Geschäftsbedingungen solcher Sammelstellen zu erhalten.

FAQ

Fehler	Mögliche Ursache	Lösung
Der Staubsauger funktioniert nicht.	Der Akku ist leer oder fast leer.	Laden Sie den Staubsauger vollständig auf und versuchen Sie es erneut.
	Durch eine Blockade wurde der Überhitzungsschutz ausgelöst.	Warten Sie, bis der Staubsauger abgekühlt ist und versuchen Sie es dann erneut.
	Die Saugöffnung oder der Strömungsweg ist blockiert.	Befreien Sie die Ansaugöffnung oder den Strömungsweg von etwaigen Hindernissen.
Die Saugleistung ist reduziert.	Der Staubbehälter ist voll und/oder der Filter ist verstopft.	Leeren Sie den Staubbehälter und reinigen Sie den Filter.
	Die Hochleistungs-Bürstenrolle, das Verlängerungsrohr oder andere Teile sind verstopft.	Entfernen Sie etwaige Verstopfungen aus der Hochleistungs-Bürstenrolle, dem Verlängerungsrohr oder anderen Teilen.
Der Motor gibt ein merkwürdiges Geräusch ab.	Die Hauptsaugöffnung oder das Verlängerungsrohr ist verstopft.	Entfernen Sie Verstopfungen aus der Hauptsaugöffnung oder dem Verlängerungsrohr.
Das erste Anzeigelicht ist nach Einschalten des Staubsaugers rot.	Der Akku ist beschädigt.	Wenden Sie sich bitte an den Kundendienst, um eine Wartung zu veranlassen.
Das erste Anzeigelicht blinkt beim Laden des Staubsaugers rot.	Das Ladegerät ist nicht kompatibel.	Benutzen Sie ausschließlich das Original-Ladegerät, um den Staubsauger aufzuladen.

Fehler	Mögliche Ursache	Lösung
Die Akku-Anzeige leuchtet während des Ladevorgangs nicht auf.	Das Ladegerät ist nicht mit dem Staubsauger verbunden.	Vergewissern Sie sich, dass das Ladegerät richtig eingesteckt ist.
	Der Akku ist vollständig geladen und ist in den Energiesparmodus gewechselt.	Der Staubsauger kann normal benutzt werden.
	Wenn die beiden vorstehend genannten Möglichkeiten ausgeschlossen worden sind und das Problem weiter besteht, wenden Sie sich bitte an den Kundendienst, um Hilfe zu erhalten.	
Der Akku wird nur langsam geladen.	Die Temperatur des Akkus ist zu hoch oder zu niedrig.	Warten Sie, bis die Akkutemperatur sich normalisiert hat und setzen Sie dann die Benutzung fort.

Fehlerbeschreibung der Akku-Statusanzeige					
Staubsaugerstatus		Anzeigestatus	Beschreibung der Anzeige	Mögliche Ursache	Lösung
<p>Wenn ein Fehler auftritt, stoppt der Staubsauger den Betrieb und die Anzeige blinkt weiß. Weitere Informationen für Ihre Lösung finden Sie unten.</p> 					
Staubsauger stoppt plötzlich seinen Betrieb.		Die erste Anzeige blinkt 5 Sekunden lang weiß und geht dann aus.	Akku leer	Demnächst aufladen.	
		Die erste und zweite Anzeige blinken gleichzeitig 5 Sekunden lang weiß und gehen dann aus.	Die Rollbürste sitzt fest	Unter „Reinigung der Hochleistungs-Bürstenrolle“ im Abschnitt „Pflege und Wartung“ finden Sie Anweisungen zur Entfernung von Haaren und anderen Verschmutzungen, die sich in der Rollbürste verfangen haben.	
		Alle drei Anzeigen blinken gleichzeitig 5 Sekunden lang weiß und gehen dann aus.	Strömungsweg blockiert	Prüfen Sie den Staubbehälter, das Verlängerungsrohr und die Hochleistungs-Bürstenrolle auf etwaige Verstopfungen.	

Это изделие предназначено исключительно для бытового использования. Перед использованием внимательно прочтите это руководство. Сохраните его — оно может понадобиться вам в дальнейшем.

Дети в возрасте от 8 лет и лица с ограниченными физическими, сенсорными или умственными способностями или недостаточным опытом и знаниями могут использовать этот прибор под наблюдением или после получения инструкций по технике безопасности и осознания возможных рисков. Дети не должны играть с прибором. Не разрешайте детям чистить устройство и выполнять другие действия по уходу за ним без присмотра взрослых.

Устройство должно использоваться только с блоком питания, поставляемым с устройством.

Пылесос не предназначен для игр. Детям нельзя играть с этим изделием и использовать его. Соблюдайте осторожность, используя пылесос рядом с детьми. Не разрешайте детям чистить пылесос и выполнять другие действия по уходу за ним без присмотра родителя или опекуна.

Используйте пылесос только для очистки сухих поверхностей в помещениях. Не устанавливайте, не заряжайте и не используйте это устройство на улице, в ванных комнатах и на территории вокруг бассейна. Не прикасайтесь к вилке или какой-либо другой части пылесоса влажными руками.

Чтобы снизить риск пожара, взрыва или телесных повреждений, перед использованием устройства убедитесь, что литий-ионный аккумулятор и зарядное устройство не повреждены. Не используйте пылесос, если аккумулятор или зарядное устройство повреждены.

Турбо-щетка с валиком, маленькая электрическая щетка, аккумулятор, шланг и пылесос проводят электрический ток, поэтому их не следует погружать в воду и другие жидкости. Тщательно высушивайте все детали после очистки.

Во избежание травм, вызванных подвижными деталями, отключайте пылесос перед очисткой турбо-щеткой с валиком и маленькой электрической щетки. Перед использованием пылесоса убедитесь, что турбо-щетка с валиком, контейнер для пыли и фильтр установлены надлежащим образом.

Используйте только оригинальное зарядное устройство (модель: BLJ24W308080P-V), которое поставляется вместе с изделием.

Используйте только аккумуляторы одобренного типа (модель P2045-7S1P-BC/P2045-7S1P-BCA/P2045-7S1P-BCB/P2046-7S1P-BC/P2046-7S1P-BCA).

Инструкция по технике безопасности

Если зарядное устройство или аккумулятор повреждены, замените их оригинальными компонентами, приобретенными у производителя или в отделе послепродажного обслуживания.

Не используйте пылесос для сбора легковоспламеняющихся и горючих жидкостей, таких как бензин, отбеливатели, аммиак и очистители труб, а также других жидкостей, например воды.

Не используйте пылесос для сбора частиц гипсокартона, пепла (например, от камина) и дымящихся или горящих материалов (например, угля, окурков или спичек).

Не используйте пылесос для сбора острых и твердых предметов, таких как стекло, гвозди, винты или монеты, которые могут повредить изделие.

Не допускайте попадания волос, свободной одежды, пальцев и других частей тела в отверстия и движущиеся части пылесоса. Не приближайте отверстие для всасывания, шланг и другие аксессуары к глазам и ушам, а также не кладите их в рот.

Не кладите никакие предметы в отверстия пылесоса и не используйте его, если какое-либо отверстие закрыто. Убирайте пыль, пух, волосы и другой мусор, который может блокировать поток воздуха.

Не прислоняйте пылесос к стульям, столам и другим неустойчивым поверхностям, так как это может привести к повреждению изделия или травмам. В случае неисправности пылесоса, вызванной опрокидыванием или повреждением, обратитесь в уполномоченный сервисный центр. Не пытайтесь самостоятельно разобрать пылесос.

Используйте только оригинальное зарядное устройство для зарядки изделия при температуре окружающей среды от 0 °C до 40 °C, иначе аккумулятор может быть поврежден.

Перед использованием пылесоса убедитесь, что крышка контейнера для пыли, фильтр предварительной очистки, циклонный блок и фильтр установлены правильно.

Отключайте пылесос, если он не используется в течение длительного периода времени, а также перед выполнением какого-либо обслуживания или ремонта.

Будьте особенно осторожны при использовании пылесоса на лестнице.

Предупреждение о пожарной безопасности. Не добавляйте в фильтр пылесоса какие-либо ароматизаторы. Они часто содержат легковоспламеняющиеся химические вещества, из-за которых может случиться возгорание пылесоса.

Когда аккумулятор не используется, храните его отдельно от любых металлических предметов,

например скрепок, монет, ключей, гвоздей или винтов. Короткое замыкание контактов аккумулятора повышает риск пожара и получения ожогов.

В неблагоприятных условиях из аккумулятора может вытечь жидкость. Избегайте контакта с этой жидкостью, так как это может привести к появлению раздражения или ожогам. При контакте промойте пораженный участок водой. Если жидкость попала в глаза, обратитесь за медицинской помощью.

НЕ подвергайте аккумулятор и устройство воздействию огня, так как это может привести к взрыву.

НЕ допускайте попадания пресной или соленой воды либо других жидкостей на аккумулятор и устройство, а также их погружения в такие жидкости.

Применяйте это устройство согласно руководству пользователя. Пользователи несут ответственность за убытки и ущерб, которые возникли из-за несоблюдения инструкций.

Данное устройство предназначено только для домашнего использования.

Меры предосторожности при хранении и транспортировке:

- Не транспортируйте робот-пылесос при температуре выше 50 °C или ниже -20 °C.
- В течение короткого периода, например одного месяца, пылесос рекомендуется хранить при температуре от -20 до 50 °C и относительной влажности 60 % ± 5 %. В течение длительного времени храните пылесос при температуре окружающей среды от 0 °C до 25 °C.
- Утилизируйте пылесос надлежащим образом. Когда его срок службы подойдет к концу, утилизируйте пылесос в соответствии с местными законами и правилами страны или региона, в котором он используется. Дату производства см. на этикетке со штрих-кодом.

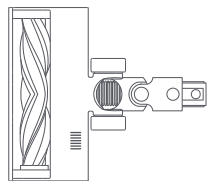
Мы, компания Dreame (Tianjin) Information Technology Co., Ltd. настоящим заявляем, что данное оборудование соответствует требованиям всех действующих директив ЕС и европейских стандартов с изменениями и дополнениями. Полный текст декларации о соответствии нормативным требованиям ЕС доступен по следующему адресу:

<http://www.mi.com/global/service/support/declaration.html>

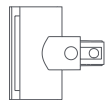
Подробное электронное руководство см. по адресу www.mi.com/global/service/userguide

Описание изделия

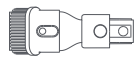
Список аксессуаров



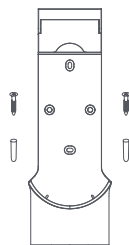
Турбо-щетка с валиком



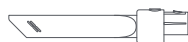
Маленькая электрическая насадка-щетка



Насадка-щетка "2 в 1"



Крепление для зарядки и хранения "2 в 1"
(в комплект входят 2 винта, 2 дюбеля и наклейка с монтажным шаблоном)



Щелевая насадка



Шланг



Зарядное устройство

Примечание. Изображения устройства, аксессуаров и пользовательского интерфейса в руководстве пользователя приведены исключительно в справочных целях. Фактические характеристики прибора и его функции могут отличаться в связи с улучшениями продукта.

Название компонента

Разъем для зарядки

Индикатор состояния аккумулятора

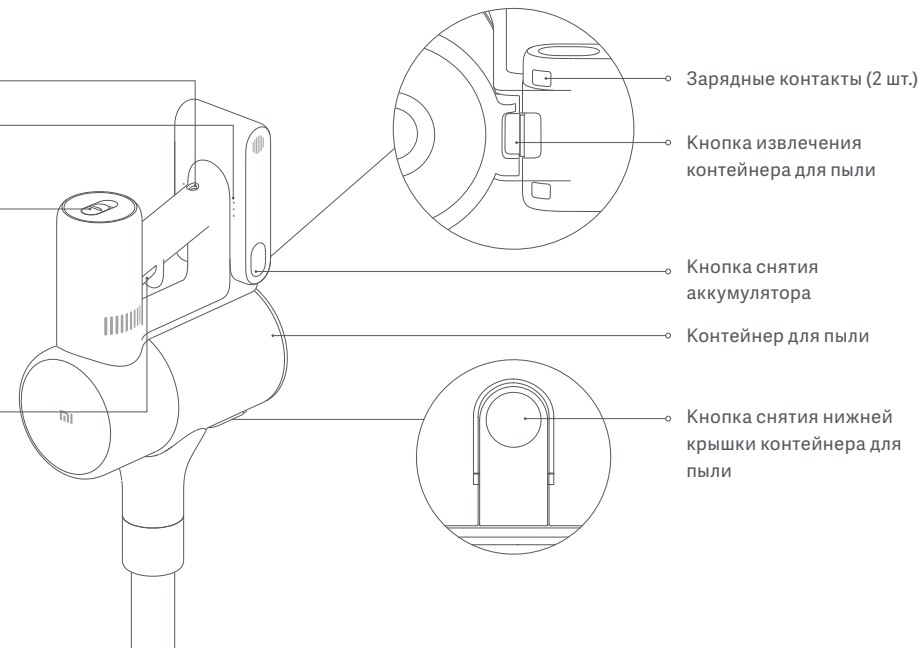
Кнопка уровня всасывания

Высокий уровень мощности

Стандартный

Экономный

Кнопка питания
Нажмите для включения и отпустите для выключения



Зарядные контакты (2 шт.)

Кнопка извлечения контейнера для пыли

Кнопка снятия аккумулятора

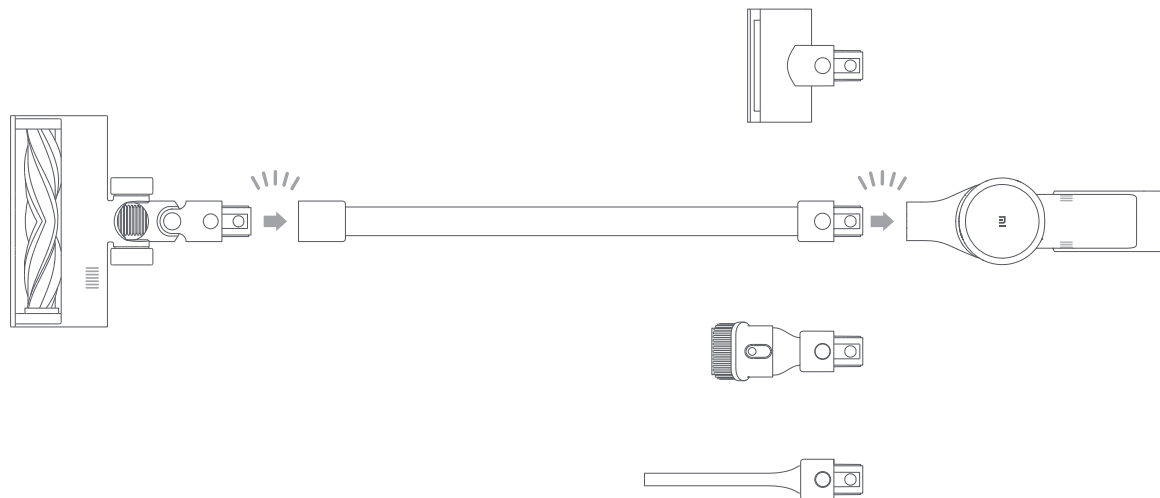
Контейнер для пыли

Кнопка снятия нижней крышки контейнера для пыли

Инструкции по установке

Установка аксессуаров на пылесос

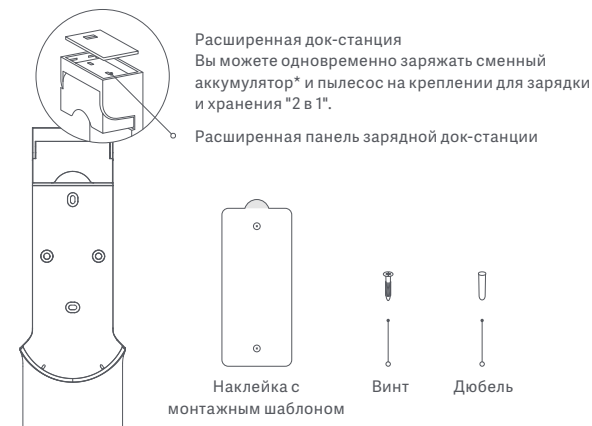
 Вставляйте, пока не услышите щелчок



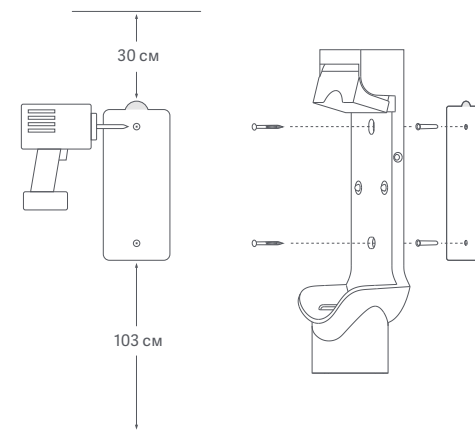
Примечание. Маленькую электрическую насадку-щетку не следует использовать со шлангом.

Установка крепления для зарядки и хранения "2 в 1"

1. Крепление для зарядки и хранения "2 в 1" следует устанавливать в прохладном и сухом месте рядом с электрической розеткой. Перед монтажом убедитесь, что непосредственно за местом установки крепления нет проводов и труб.
2. Нижний край наклейки с монтажным шаблоном должен располагаться параллельно полу на расстоянии не менее 1,03 м от него, а над ее верхним краем необходимо оставить зазор не менее 30 см.



3. При помощи перфоратора со сверлом на 8 мм просверлите отверстие через соответствующие отметки на наклейке, а затем вставьте дюбель в каждое отверстие.
4. Сопоставьте монтажные отверстия на креплении для зарядки и хранения "2 в 1" с отверстиями в стене, а затем прикрутите установку к стене с помощью прилагающихся винтов.



Рекомендуемая высота: не менее 1,03 м от пола

Зарядка

Индикатор состояния аккумулятора

○ Выкл. ☀ Мигание ● Вкл.

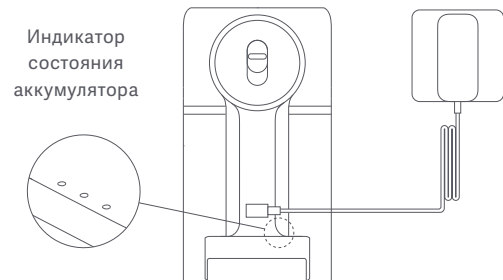
☀ ○ ○ Низкий уровень заряда аккумулятора

● ☀ ○ Средний уровень заряда аккумулятора

● ● ☀ Почти полный уровень заряда аккумулятора

● ● ● Полный уровень заряда аккумулятора

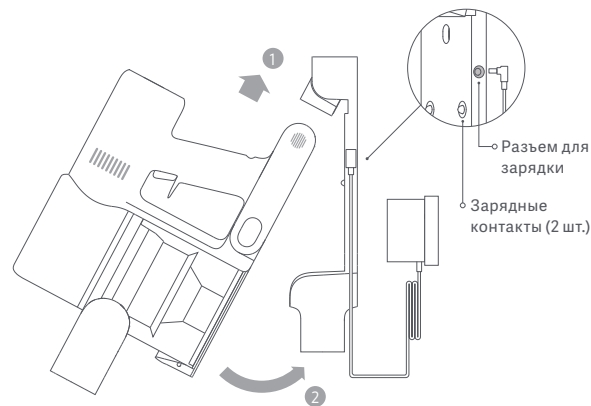
Индикатор погаснет через 5 минут после полной зарядки аккумулятора, а пылесос перейдет в энергосберегающий режим.



Зарядка пылесоса с помощью зарядного устройства

Примечания.

- Полностью зарядите пылесос перед первым использованием. Это займет около 3,5 часов.
- Пылесос нельзя использовать во время зарядки.
- Продолжительная уборка с максимальным уровнем всасывания приведет к нагреву аккумулятора, что может увеличить время зарядки. Перед зарядкой пылесоса рекомендуется дать ему остыть в течение 30 минут.

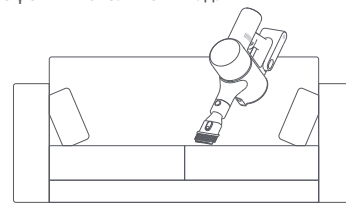


Зарядка пылесоса в креплении для зарядки

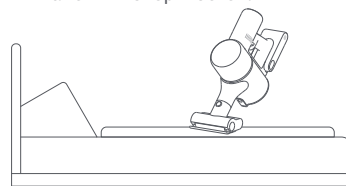
Инструкция

Использование разных аксессуаров

Насадка-щетка "2 в 1": для очистки штор, диванов, салонов автомобилей, кофейных столиков и т. д.



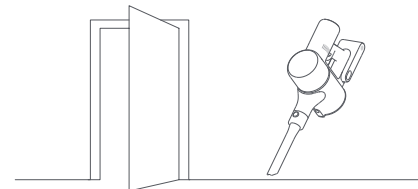
Маленькая электрическая насадка-щетка: для уборки грязи, шерсти животных и другого стойкого мусора с диванов, матрасов и других тканевых поверхностей.



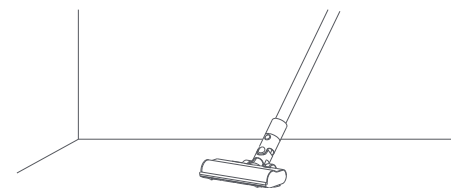
Примечания.

- Если какая-либо вращающаяся деталь заклинит, пылесос может автоматически отключиться. Уберите застрявшие посторонние предметы, а затем продолжите использование.
- В случае перегрева двигателя пылесос автоматически отключится. Подождите, пока температура аккумулятора нормализуется, а затем продолжите использование.

Щелевая насадка: для уборки в узких щелях и участках вокруг дверей, окон, плинтусов, углов, ступенек и т. д.



Турбо-щетка с валиком: для очистки различных напольных покрытий, например дерева, мрамора, плитки и ковров.



Примечание. Турбо-щетку с валиком можно подключить непосредственно к пылесосу.

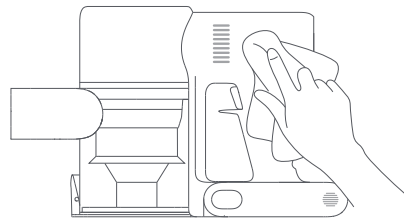
Уход и техническое обслуживание

Меры предосторожности при уходе за устройством

- Используйте оригинальные запчасти, иначе гарантия может быть аннулирована.
- Если фильтр, шланг или турбо-щетка с валиком засорится, пылесос вскоре прекратит работу. Чтобы снова запустить его, очистите засоренный компонент.
- Если вы не планируете использовать пылесос в течение длительного периода, полностью зарядите его, отключите от розетки и храните в прохладном месте с низкой влажностью вдали от прямых солнечных лучей. Во избежание избыточной разрядки аккумулятора заряжайте пылесос как минимум раз в три месяца.

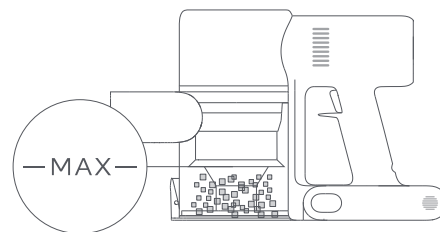
Чистка пылесоса

Протрите пылесос мягкой сухой тканью.

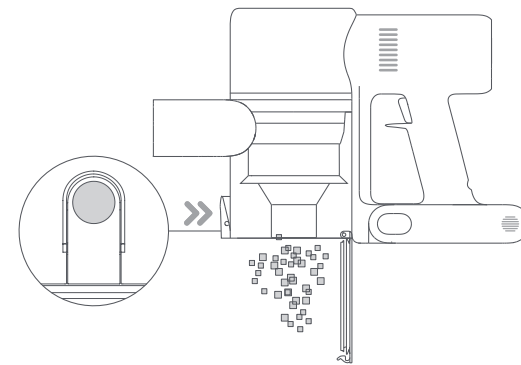


Чистка контейнера для пыли, фильтра предварительной очистки и циклонного блока

1. Если контейнер для пыли заполнен до отметки MAX, эффективность работы пылесоса значительно снижается. Для оптимальной работы своевременно опорожняйте контейнер для пыли. Перед опорожнением контейнера убедитесь, что пылесос отключен от розетки, и не нажимайте кнопку питания.

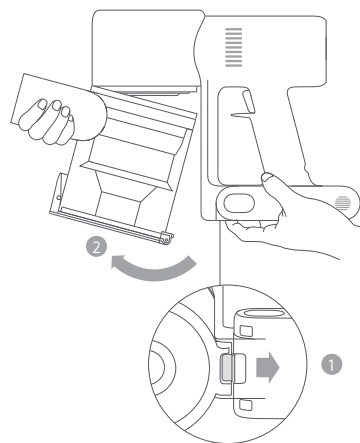


2. Нажмите кнопку снятия нижней крышки контейнера для пыли, а затем извлеките содержимое.



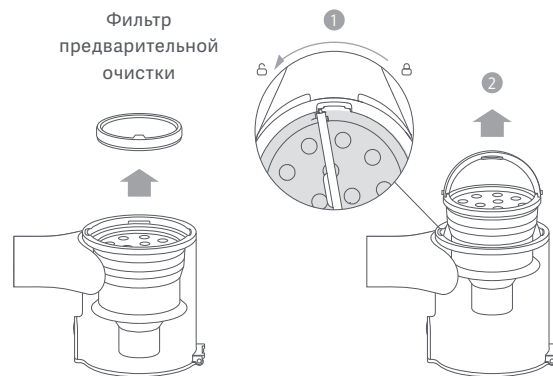
Уход и техническое обслуживание

3. Нажмите переключатель извлечения контейнера для пыли в направлении, обозначенном стрелкой, а затем осторожно выньте контейнер для пыли из пылесоса.



Кнопка извлечения контейнера для пыли

4. Сначала выньте фильтр предварительной очистки, снимите ручку циклонного блока и поверните ее против часовой стрелки до упора, а затем вытяните циклонный блок.



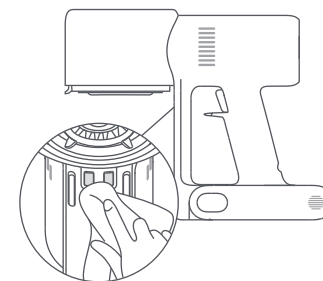
5. Дочиста промойте фильтр предварительной очистки, циклонный блок и контейнер для пыли водой, а затем отложите все детали как минимум на 24 часа, чтобы они полностью высохли.



Примечания.

- Контейнер для пыли следует промывать как минимум раз в месяц.
- Фильтр предварительной очистки и циклонный блок следует чистить раз в 3–4 месяца.

Если контактные точки пылесоса загрязнились, протрите их мягкой сухой тканью.



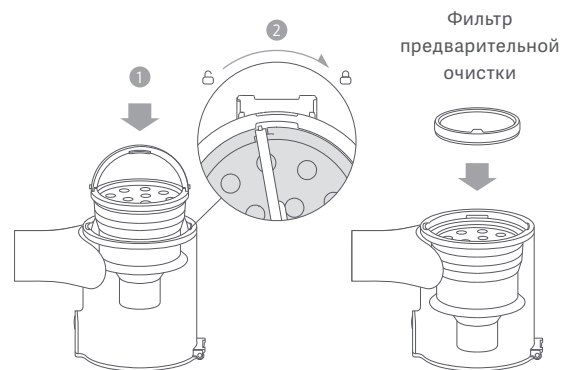
Примечания.

- Не используйте чистящие средства, полироли и освежители воздуха при чистке контейнера для пыли.
- Не мойте контейнер для пыли, фильтр предварительной очистки и циклонный блок в посудомоечной или стиральной машине, а также не пытайтесь сушить какой-либо компонент в сушилке, печи, микроволновой печи или у открытого огня.

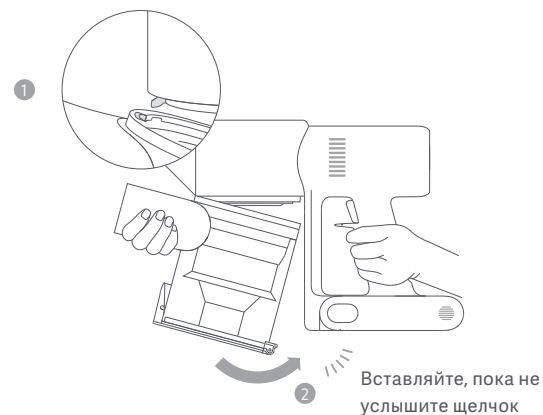
Уход и техническое обслуживание

Установка контейнера для пыли, фильтра предварительной очистки и циклонного блока

1. Вставьте циклонный блок в вертикальном положении в контейнер для пыли и убедитесь, что ручка циклонного блока сопоставлена с отверстием на левой стенке контейнера для пыли. Поверните ручку против часовой стрелки до упора, а затем опустите ее.
2. Вставьте фильтр предварительной очистки в циклонный блок передней стороной вверх.



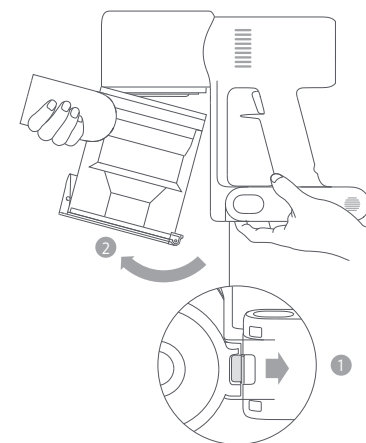
3. Слегка наклоните контейнер для пыли, чтобы отверстие на нем сопоставилось с фиксатором на пылесосе. Затем осторожно протолкните контейнер для пыли до щелчка.



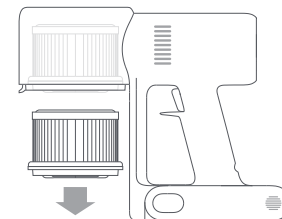
Чистка фильтра

Рекомендуется чистить фильтр каждые 4–6 месяцев.

1. Снимите контейнер для пыли, как показано на рисунке.



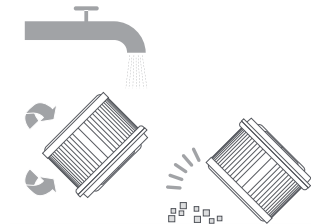
2. Выньте фильтр из пылесоса, потянув его вниз, как показано на рисунке.



3. Промойте фильтр чистой водой. Обязательно поверните фильтр на 360°, чтобы полностью удалить накопившуюся в нем пыль. Несколько раз легко стукните по фильтру, чтобы убрать избыток грязи.

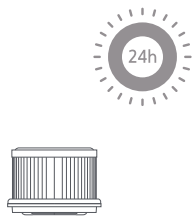
Примечания.

- Промывайте фильтр только чистой водой. Не используйте чистящее средство.
- Не пытайтесь чистить фильтр щеткой или пальцами.



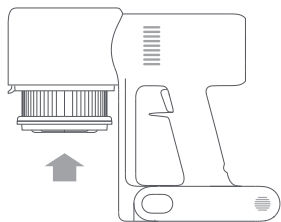
Уход и техническое обслуживание

4. Просушите фильтр в течение как минимум 24 часов.

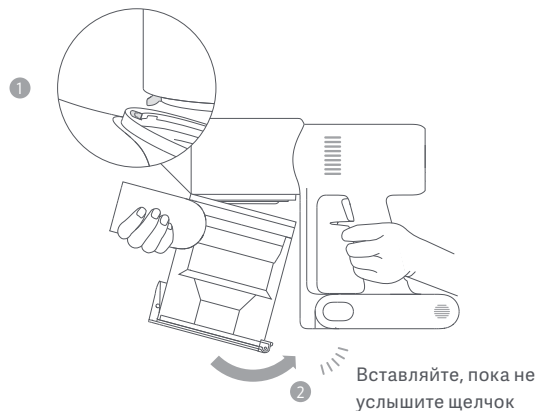


Установка фильтра

1. Вставьте фильтр в пылесос и слегка надавите на него, как показано на рисунке.

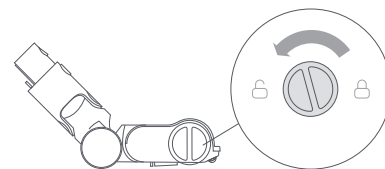


2. Установите контейнер для пыли на место.

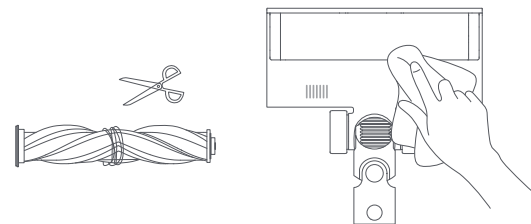


Чистка турбо-щетки с валиком

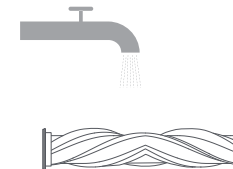
1. Поверните замок против часовой стрелки до упора, а затем выньте валик из турбо-щетки.



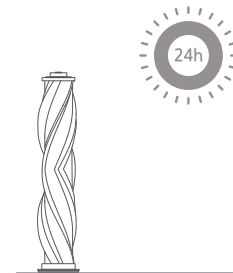
2. С помощью ножниц вырежьте и вытяните волосы и другой мусор, запутавшийся в валике. Сотрите избыток пыли с отверстия и очистите пластиковую крышку с помощью сухой ткани или бумажного полотенца.



3. После продолжительного использования валик может загрязниться и нуждаться в промывке.



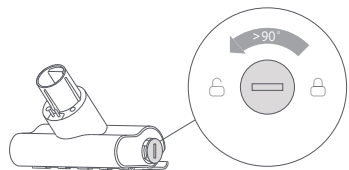
4. После мытья тщательно высушите валик, оставив его в вертикальном положении в хорошо проветриваемом месте как минимум на 24 часа.



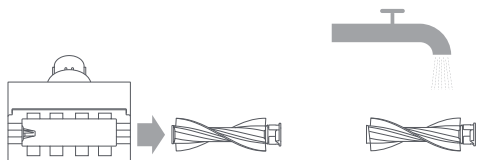
Уход и техническое обслуживание

Чистка маленькой электрической насадки-щетчи

1. С помощью монетки поверните замок против часовой стрелки до щелчка.



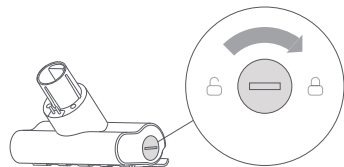
2. Разблокировав валик, снимите его со щетки, а затем промойте и почистите.



3. После мытья тщательно высушите валик, оставив его в вертикальном положении в хорошо проветриваемом месте как минимум на 24 часа.



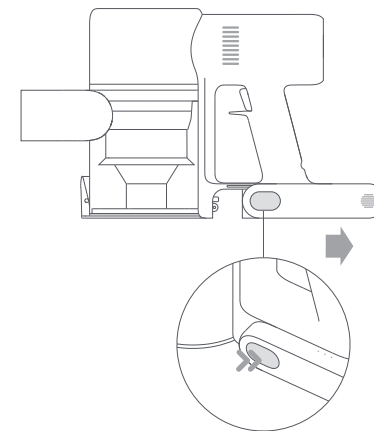
4. Когда валик высохнет, установите его на место, выполнив этапы разборки в обратном порядке.



Аккумулятор

Пылесос содержит съемный литий-ионный аккумулятор с ограниченным количеством циклов зарядки. После продолжительного использования аккумулятор может перестать держать заряд. Это означает, что срок службы аккумулятора подошел к концу и его требуется заменить.

1. Нажмите кнопку снятия аккумулятора и сдвиньте аккумулятор вправо, как показано на рисунке, чтобы снять его.
2. Вставьте новый аккумулятор.



Технические характеристики

Беспроводной пылесос			
Модель	MJSCXCQ1T	Номинальное напряжение	25,2 В ---
Напряжение при зарядке	30,8 В ---	Расчетная емкость	2500 мА·ч
Номинальная мощность	400 Вт	Емкость контейнера для пыли	Макс. 0,6 л
Время зарядки	Около 3,5 ч	Вес нетто	3,8 кг
Размеры изделия	1286 × 214 × 256 мм		

Турбо-щетка с валиком		Маленькая электрическая насадка-щетка	
Модель	G9-01	Модель	1C-02
Номинальная мощность	40 Вт	Номинальная мощность	20 Вт
Номинальное напряжение	25,2 В ---	Номинальное напряжение	25,2 В ---

Зарядное устройство			
Изготовитель	Zhongshan Baolijin Electronic Co., Ltd.	Средний КПД в активном состоянии	87.5%
Модель	BLJ24W308080P-V	КПД при низкой нагрузке (10 %)	77.9%
Вход	100–240 В~ 50/60 Гц 0,8 А	Потребляемая мощность без нагрузки	0,10 Вт
Выход	30,8 В--- 0,8 А 24,6 Вт		

Перезаряжаемый литий-ионный аккумулятор			
Модель аккумулятора	P2045-7S1P-BC/P2045-7S1P-BCA/P2045-7S1P-BCB	Расчетная емкость	2500 мА·ч
Расчетное напряжение	25,2 В ---	Номинальная емкость	2400 мА·ч
Энергия	60,48 Вт·ч		

Литий-ионный аккумулятор содержит вещества, представляющие опасность для окружающей среды. Перед утилизацией пылесоса сначала выньте аккумулятор и утилизируйте или сдайте его на переработку в соответствии с местными законами и правилами страны или региона эксплуатации.

Информация об утилизации и переработке отходов электрического и электронного оборудования



Все изделия, обозначенные символом отдельного сбора отработанного электрического и электронного оборудования (WEEE, директива 2012/19/EU), следует утилизировать отдельно от несортируемых бытовых отходов. С целью охраны здоровья и защиты окружающей среды такое оборудование необходимо сдавать на переработку в специальные пункты приема электрического и электронного оборудования, определенные правительством или местными органами власти. Правильная утилизация и переработка помогут предотвратить возможные негативные последствия для окружающей среды и здоровья человека. Чтобы узнать, где находятся такие пункты сбора и как они работают, обратитесь в компанию, занимающуюся установкой оборудования, или в местные органы власти.

Вопросы и ответы

Ошибка	Возможная причина	Решение
Пылесос не работает.	Аккумулятор не вставлен или разряжен.	Полностью зарядите пылесос, а затем продолжите использование.
	Режим защиты от перегрева активирован из-за засорения.	Подождите, пока пылесос остынет, а затем повторно активируйте его.
	Заблокировано отверстие для всасывания или воздушный канал.	Очистите отверстие для всасывания или воздушный канал от мусора.
Сила всасывания снизилась.	Заполнен отсек для пыли и/или засорен фильтр.	Опорожните отсек для пыли и очистите фильтр.
	Засорились турбо-щетка с валиком, шланг или другие части.	Удалите засоры из турбо-щеткой с валиком, шланга или других частей.
Двигатель издает странный шум.	Основное отверстие для всасывания или шланг заблокированы.	Очистите основное отверстие для всасывания или шланг от мусора.
Первый индикатор горит красным после включения пылесоса.	Аккумулятор поврежден.	Обратитесь в отдел послепродажного обслуживания для устранения проблемы.
Первый индикатор мигает красным после зарядки пылесоса.	Используется несовместимое зарядное устройство.	Используйте для зарядки пылесоса только оригинальное зарядное устройство.

Ошибка	Возможная причина	Решение
Индикатор аккумулятора не горит во время зарядки.	Зарядное устройство не подключено к пылесосу.	Убедитесь, что зарядное устройство правильно подключено.
	Аккумулятор полностью заряжен и перешел в спящий режим.	Пылесос не получается использовать обычным образом.
	Если проблема остается после устранения двух указанных выше неполадок, обратитесь за помощью в гарантийную службу.	
Аккумулятор медленно заряжается.	Слишком низкая или слишком высокая температура аккумулятора.	Подождите, пока температура аккумулятора нормализуется, а затем продолжите использование.

Описание ошибки индикатора состояния аккумулятора				
Пылесос прекратит работать, если произошла ошибка и индикатор мигает белым цветом. Решение проблемы приведено ниже.				
				
Состояние пылесоса	Состояние индикатора	Описание индикатора	Возможная причина	Решение
Пылесос прекратил работу внезапно.		Первый индикатор мигал белым цветом в течение 5 секунд и отключился.	Аккумулятор разряжен	Как можно скорее зарядите аккумулятор.
		Первый и второй индикаторы мигали белым цветом в течение 5 секунд одновременно и отключились.	Щетка-валик застряла	Инструкции по очистке валика от волос и другого мусора представлены в подразделе "Чистка турбо-щеткой с валиком" в разделе "Уход и техническое обслуживание".
		Все три индикатора мигали белым цветом в течение 5 секунд одновременно и отключились.	Воздушный канал засорен	Проверьте на наличие засоров в отсеке для пыли, шланге и/или на турбо-щетке с валиком.

安全上のご注意

本製品はご家庭での使用に限られます。ご使用前にこの説明書をよくお読みください。またいつでも参照できるよう保管してください。

身体や五感の障害、または知的障害をお持ちの方およびお子さまなど関係する経験や知識のない方は本製品をご利用になれません。保護者の監督または指導のもとで、安全な使用が確保できる場合は除きます。お子さまが本製品を操作すること、またはおもちゃとして遊ぶことはしないでください。お子さまのそばで製品を使用する場合は特に注意してください。お子さまが保護者の目の届かない状況で製品を掃除、メンテナンスすることはしないでください。

本装置は、装置に付属の電源ユニットのみをご使用ください。

屋内で表面が乾燥した場所でのみ使用できます。屋外や浴室、プールの周辺などで本製品を設置、充電、使用することはしないでください。

ぬれた手でプラグや製品に触れないでください。

火災や爆発、けがを避けるため、使用前にはリチウム電池や電源アダプタに異常がないかを確認してください。

リチウム電池や電源アダプタに異常が見られる場合はクリーナーを使用しないでください。

高トルクスマートブラシ、ミニ電動ブラシ、電池、延長管および本体は帯電します。水や他の液体に浸して洗浄しないでください。日常のお手入れの後には、すべてのフィルターをしっかりと乾燥させてください。

高トルクスマートブラシやミニ電動ブラシを清掃する場合は、回転するローラーブラシでけがをしないように、先に本体の電源を切ってください。高トルクスマートブラシやダストカップおよびフィルターを取り付けていない状態で製品を使用しないでください。

型番が BLJ24W308080P-V の純正の電源アダプタのみ使用できます。

安全上のご注意

品番が P2045-7S1P-BC/P2045-7S1P-BCA/P2045-7S1P-BCB/P2046-7S1P-BC/P2046-7S1P-BCA の電池のみ使用できます。

電源アダプタやリチウム電池に異常が見られた場合は、製造元やメンテナンス部門から専用の交換部品を購入して交換してください。

製品を使用して水やガソリンなどの可燃性または爆発性のある液体を吸引しないでください。また、漂白剤、アンモニア、排水管洗浄剤やその他の有毒溶液を吸引しないでください。

クリーナーを使用して石膏ボードの粉塵、暖炉のすすおよび灰かすを掃除しないでください。また、炭やタバコ、マッチなど煙の出ているものや燃えているものを吸引しないでください。

クリーナーを使用してガラス、釘、ネジ、硬貨など先のとがったものや硬いものを掃除しないでください。クリーナーの故障の原因となります。

製品の吸気経路や動作部に毛髪やゆったりとした衣服、指や体の一部を近づけないでください。本体の吸込口や延長管またその他の付属品を目や耳に向けたり、それらを口の中に入れてたりしないでください。

吸込口には異物がないようにしてください。吸込口が詰まった状態でクリーナーを使用しないでください。ちりやほこり、綿くず、毛髪や他の異物が吸引力を低下させることがあります。速やかに取り除いてください。

クリーナーを椅子やテーブルなど不安定な面に置かないでください。落下して破損したり、けがの原因になったりすることがあります。クリーナーが転倒、破損した場合、またその他の故障が見られた場合は、ご自身で分解せずに、正規の修理店にお問い合わせください。

純正の電源アダプタを使用して、0° から 40° の環境で充電してください。それ以外の場合、故障の原因となります。必ずダストカップ底カバー、プレフィルター、サイクロンシステムおよび内蔵フィルターを正しく取り付けから使用してください。

長期間使用しない場合やお手入れや修理の前には、プラグを抜いてください。

製品を使用して階段を掃除する際は特に注意してください。

火災の危険について警告：匂いのある製品を本製品のフィルターに塗りつけしないでください。それらの製品の中の化学物質は燃えやすく、製品が発火する恐れがあることが知られています。

電池を使用しない場合は、電池をクリップ、硬貨、カギ、釘やネジなどの金属に近づけないでください。電池の端子がショートして発火や燃焼のリスクが高まります。

劣悪な条件下では、液体が電池から吹き出す恐れがあります。液体に触れないでください。刺激ややけどの原因となります。触れてしまった場合は、流水で手を洗ってください。目に入ってしまった場合は、医師の診察を受けてください。

電池や機器を燃やさないでください。爆発の原因となります。

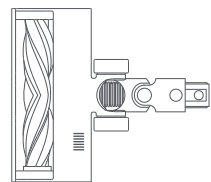
電池や製品を水や塩水、他の液体の中にさらしたり浸したりしないでください。

説明書の指示に従って本製品を使用してください。誤った使用により生じた損害の責任は使用者が負います。

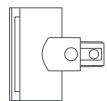
電子マニュアルの詳細については、www.mi.com/global/service/userguide をご覧ください。

製品紹介

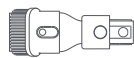
付属品リスト



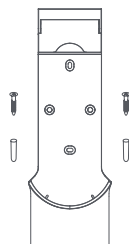
高トルクスマートブラシ



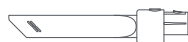
ミニ電動ブラシ



2 WAY ブラシ



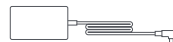
充電・収納兼用スタンド
(ネジ x2、アンカープラグ x2、位置
決めシールが含まれます)



すき間ノズル



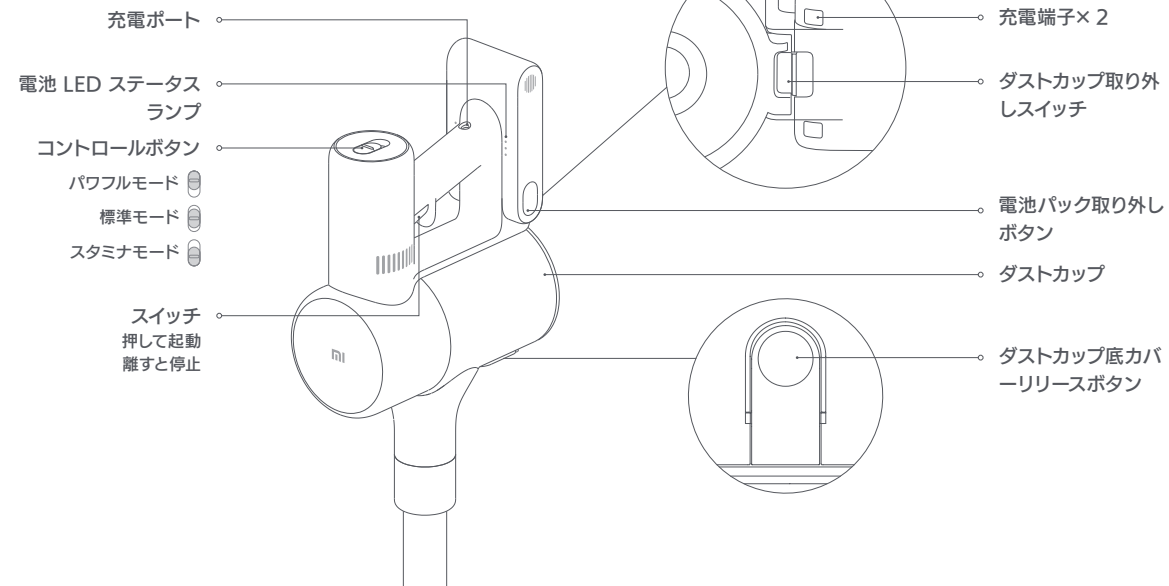
延長管



電源アダプタ

ヒント：説明書記載の製品、付属品、ユーザインタフェースなどの画像はイメージです。製品の更新や改良のため、実際の製品とイメージが多少異なる場合があります。その場合実物に準じます。

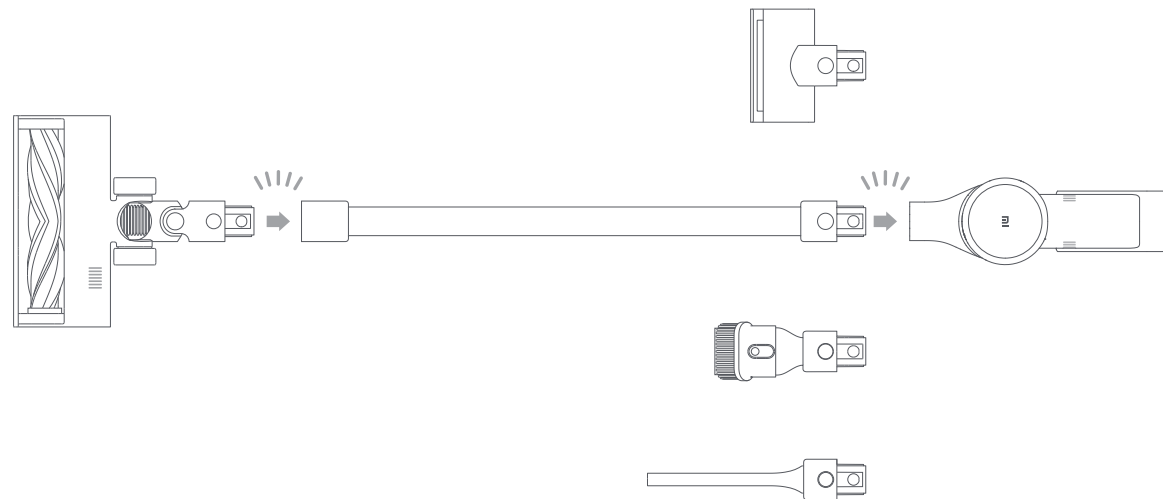
部品名



組み立て

本体および付属品の組み立て図

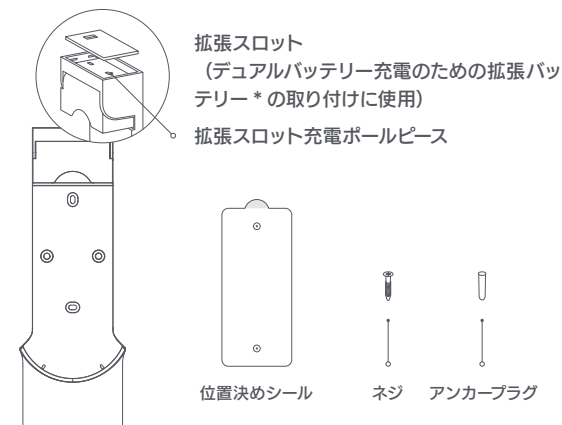
カチッ



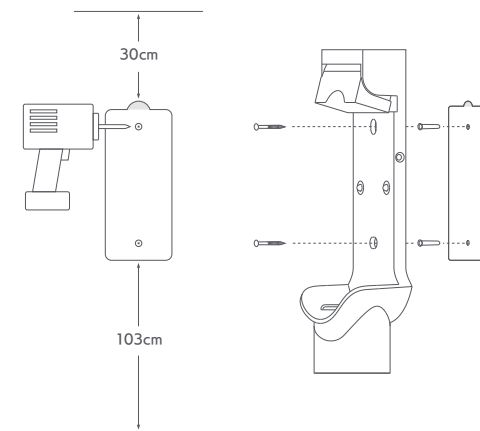
ヒント：ミニ電動ブラシは延長管につながずに使用しようお勧めします。

充電・収納兼用スタンドの設置

1. スタンドの位置には電源付近の日の当たらない乾燥した場所を選びます。設置位置の裏側に電線や配管などの設備がないことを確認します。
2. 位置決めシールを床面と平行に壁に貼り付けます。シールの下部と床面は 103cm 以上間隔を開けて、上部に最低 30cm の遮蔽物のない空間を確保するようお勧めします。



3. 3.8mm ドリルビットを装着した電動工具で位置決めシールの位置決め穴に合わせて穴を開け、アンカープラグをドリル穴に入れます。
4. 収納スタンドの取り付け穴と位置決めシールの位置決め穴を合わせて、ネジで収納スタンドを壁に固定します。



設置推奨高度：シール下部と床面の間隔が 103cm 以上

充電

電池 LED ステータスランプ

○ 消灯 ● 点滅 ● 常時点灯

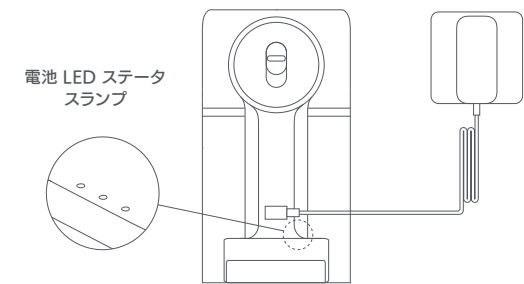
● ○ ○ 電池残量低下

● ● ○ 電池残量正常

● ● ● 充電完了

● ● ● フル充電

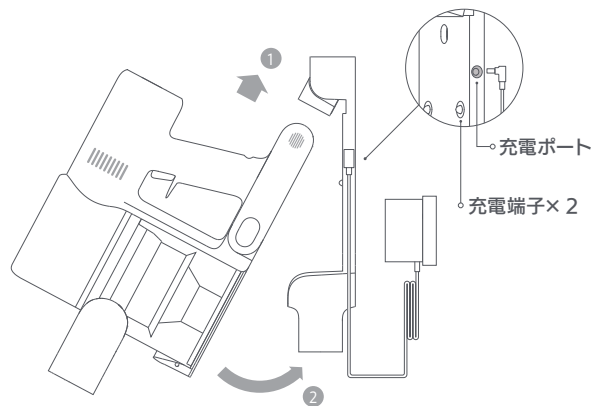
フル充電後 5 分経過すると、ステータスランプが消灯して節電モードに切り替わります



電源アダプタから直接充電する場合

ヒント:

- ・初めて使用する前に、フル充電するようにしてください。充電時間は約 3.5 時間です。
- ・充電中はクリーナーを起動できません。
- ・パワフルモードで連続使用すると電池温度が高くなり、この状態で充電すると通常より長い時間がかかることがあります。本体を 30 分間冷却してから充電することをお勧めします。

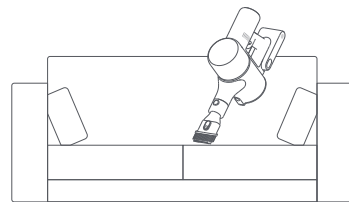


スタンドを利用して充電する場合

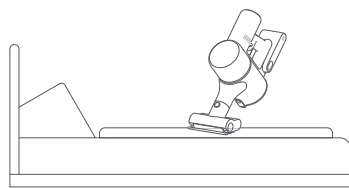
使用方法

付属品の使用シーン

2 WAY ブラシ:カーテン、ソファ、車内、サイドテーブルなどの表面のちりやほこりを吸い取りに便利です。



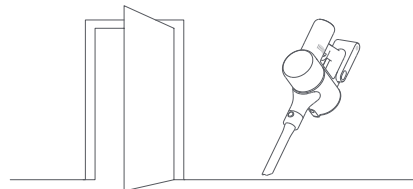
ミニ電動ブラシ:ソファ、布団などの布製品のちりやほこりの吸引、ペットの毛や奥まった場所の掃除に便利です。



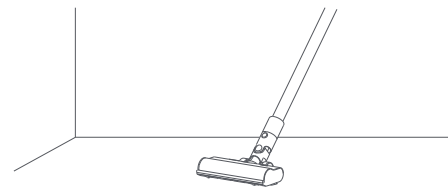
ヒント:

- ・いずれかの回転部が引っかかると、製品は自動的に停止します。引っかかっている異物をすべて取り除くと使用を続けることができます。
- ・電池過熱保護機能により、自動的に停止した場合は、正常な電池温度に戻るのを待ってから使用してください。

すき間ノズル:窓サッシの溝、壁の四隅、階段など細かな隙間の掃除に便利です。



高トルクスマートブラシ:フローリング、大理石、タイル、毛足の短いじゅうたんなどの掃除に適しています。



ヒント: 高トルクスマートブラシは直接本体に取り付けて使用することもできます。

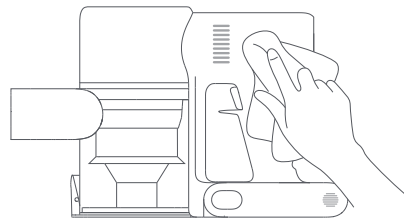
お手入れとメンテナンス

製品メンテナンスに関する注意事項

- 必ず純正部品を使用してください。純正部品以外を使用されると保証の対象外となります。
- フィルターや延長管、高トルクスマートブラシが詰まると、本体は連続動作を繰り返してから停止します。速やかに異物を取り除いてから使用してください。
- 長期間使用しない場合は、クリーナーのフル充電してから電源アダプタのプラグを抜き、日の当たらない乾燥した場所で保管してください。直射日光の当たる場所や湿気のある場所では保管しないでください。過放電を避けるため、少なくとも3カ月に1回は充電してください。

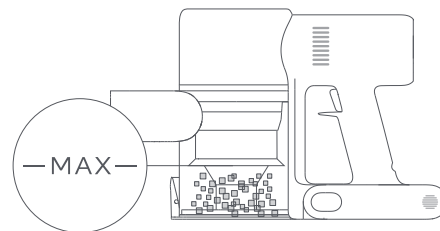
本体の清掃

柔らかい乾いた布で本体を拭きます。

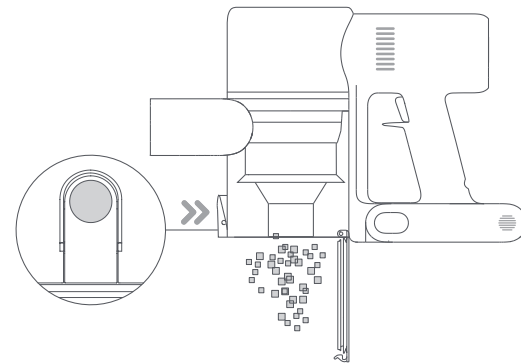


ダストカップ、プレフィルター、サイクロンシステム部の清掃

1. ちりやほこりなどのゴミが「MAX」(最大)までたまってきたまま使用を続けると吸引力が低下します。早めに取り除いてから使用してください。清掃前には電源アダプタが外れていることを確認し、誤ってスイッチに触れてクリーナーが起動しないように注意してください。

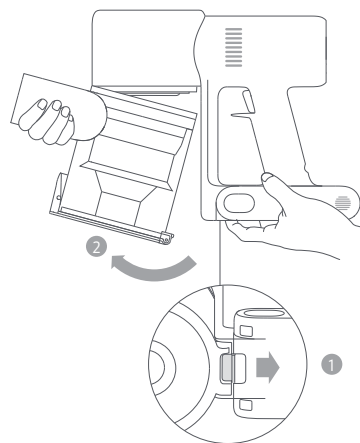


2. 矢印の方向にダストカップ底カバーリリースボタンを押すと、ダストカップ底カバーが開きます。ダストカップ内のゴミを捨てます。



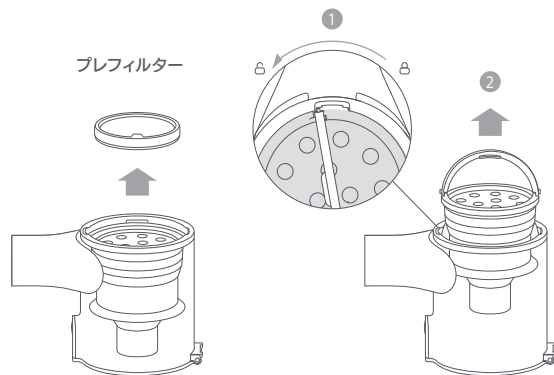
お手入れとメンテナンス

3. 図①が示すように矢印の方向に沿ってダストカップ底のダストカップ取り外しスイッチを引きながら、②が示すようにダストカップを取り外します。



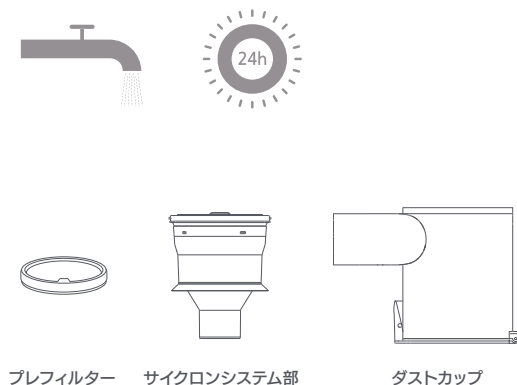
ダストカップ取り外しスイッチ

4. 先にプレフィルターを取り外してから、持ち手を引きながら反時計回りに回転が止まる位置まで回し、サイクロンシステム部を取り出します。



プレフィルター

5. プレフィルター、サイクロンシステム部およびダストカップをきれになるまで洗い流します。洗い終わったら、24 時間以上乾かしてしっかりと乾燥させます。



プレフィルター

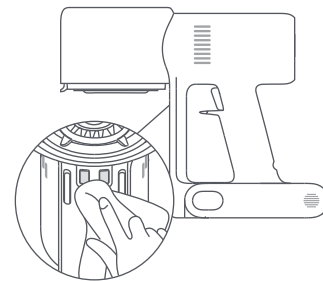
サイクロンシステム部

ダストカップ

ヒント:

- ・少なくとも毎月 1 回はダストカップを清掃するようお勧めします。
- ・3-4 月に 1 回はダストカップ、プレフィルター、サイクロンシステム部を清掃するようお勧めします。

導電部が汚れた場合は、柔らかい乾いた布で導電部を拭いてください。



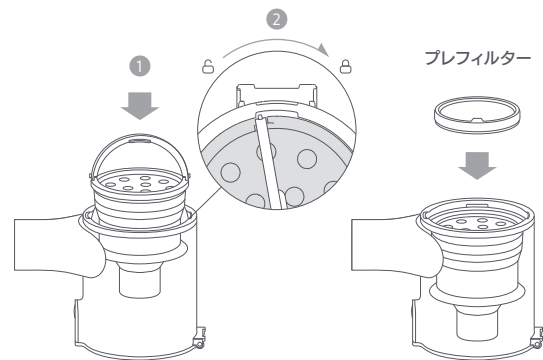
ヒント:

- ・洗剤や研磨剤、消臭剤でダストカップを清掃しないでください。
- ・ダストカップ、プレフィルター、サイクロンシステム部を食器洗浄機や洗濯機に入れて洗ったり、ドラム式乾燥機やオープン、電子レンジや直火に近づけるなどして乾燥させたりしないでください。

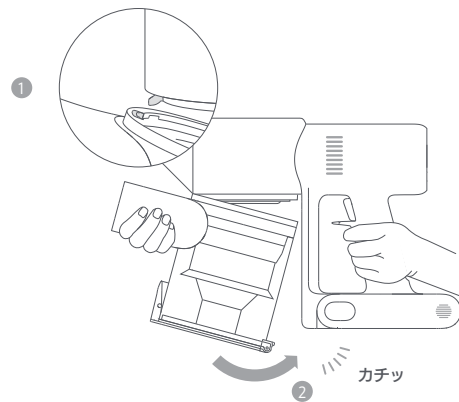
お手入れとメンテナンス

ダストカップ、プレフィルター、サイクロンシステム部の取り付け

1. サイクロンシステム部を垂直にダストカップに入れ（持ち手をダストカップ溝のやや左側に合わせるよう注意してください）、時計回りに回転が止まるまで回してから持ち手を元に戻します。
2. プレフィルターの正面を上に向けて、サイクロンシステム部に取り付けます。



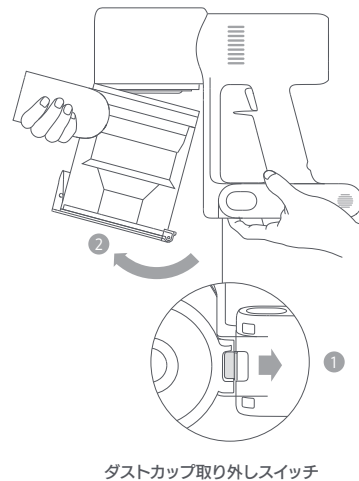
3. ダストカップをやや傾けながら、本体のツメとダストカップの溝を合わせて、矢印の方向にダストカップを軽く押し込みます。カチッと音がすれば、正しく取り付けられています。



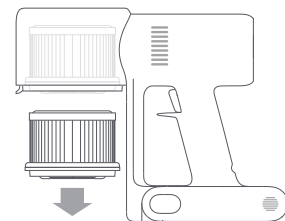
内蔵フィルターの清掃

ヒント：少なくとも4～6カ月に1回はフィルターを清掃するようお勧めします。

1. 図のようにダストカップを取り外します。



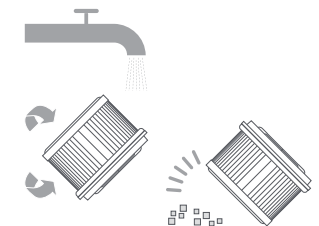
2. 図が示す方向に引き下げ、内蔵フィルターを本体から取り外します。



3. 内蔵フィルターをきれいな水で洗ってください。必ずフィルターを360度回転させて、フィルター内にたまったごみをすべて取り除いてください。フィルターを数回軽くたたき、ごみをすべて取り除きます。

ヒント：

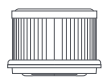
- ・水で洗浄してください。洗剤は使用しないでください。
- ・ブラシや指を使わずにフィルターを清掃してください。



お手入れとメンテナンス

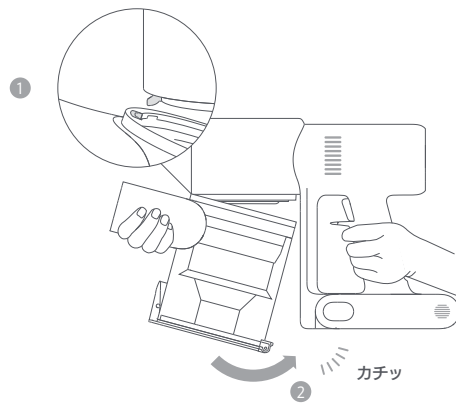
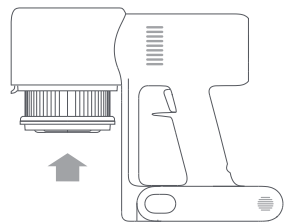
4. 内蔵フィルターを 24 時間以上かけてしっかりと乾燥させます。

2. ダストカップを元に戻します。



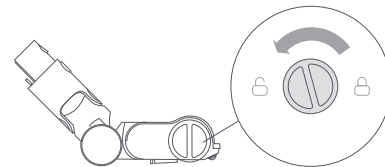
内蔵フィルターの取り付け

1. 図のように内蔵フィルターを本体に軽く押し込んで元に戻します。

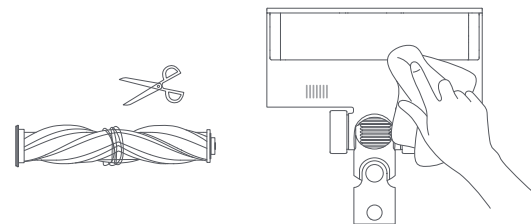


高トルクスマートブラシのお手入れ

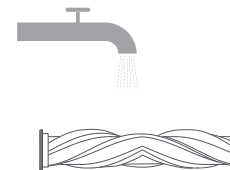
1. 図が示すようにロックを反時計回りに回転が止まる位置まで回して、ブラシから回転ブラシを取り出します。



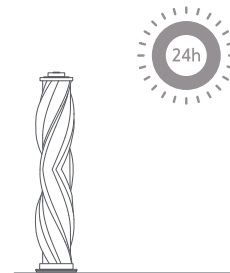
2. はさみで回転ブラシに絡みついた毛髪や繊維物質を切断して取り除きます。乾いた布やティッシュで溝やクリアカバーについたゴミを拭き取ります。



3. 長時間使用してブラシが汚れた場合は水洗いします。



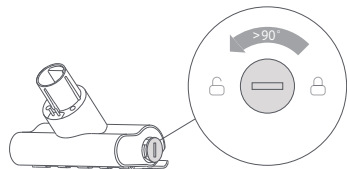
4. 乾燥させる時は回転ブラシを縦に置き、24 時間以上乾かしてしっかりと乾燥させます。



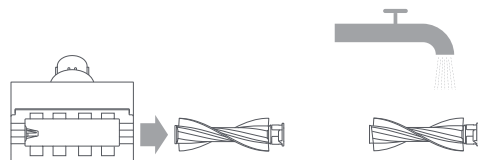
お手入れとメンテナンス

ミニ電動ブラシの清掃

1. 硬貨を使って図の方向にロックを反時計回りにカチッと音がするまで回します。



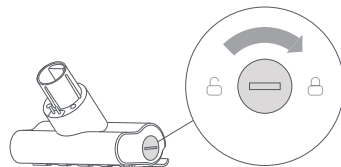
2. ロックを外してから、回転ブラシをミニ電動ブラシから取り出して、回転ブラシを水できれいに洗います。



3. 乾燥させる時は回転ブラシを縦に置き、24 時間以上乾かしてしっかりと乾燥させます。



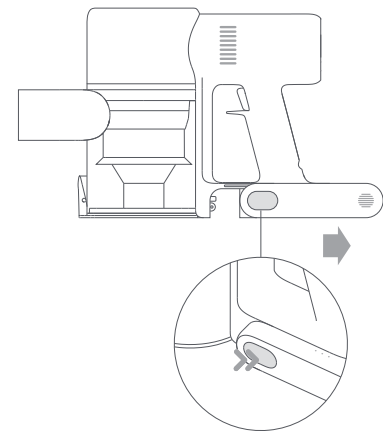
4. 回転ブラシをしっかりと乾燥させてから、取り外した時と逆の手順で取り付けて完了です。



電池パック

本製品の充電リチウム電池パックは取り外し可能な消耗品です。正しく充電しても使用時間が極端に短くなった場合は、電池が寿命を迎えたことを示します。

1. 電池パック取り外しボタンを押して、後ろにスライドさせて電池パックを取り外します。
2. 新しい電池パックを取り付けます。



基本パラメータ

ワイヤレスクリーナー			
製品型番	MJSCXCQ1T	定格電圧	25.2V ---
充電電圧	30.8V ---	公称容量	2500mAh
定格出力	400W	ダストカップ容量	0.6L (最大)
充電時間	約 3.5 時間	製品正味重量	3.8kg
製品寸法	1286 × 214 × 256mm		

高トルクスマートブラシ		ミニ電動ブラシ	
型番	G9-01	型番	1C-02
定格出力	40W	定格出力	20W
定格電圧	25.2V ---	定格電圧	25.2V ---

電源アダプタ			
製造元	中山市宝利金電子有限公司	平均有効電力	87.5%
型番	BLJ24W308080P-V	低負荷時の電力 (10%)	77.9%
入力	100-240V-50/60Hz 0.8A	無負荷時消費電力	0.10W
出力	30.8V --- 0.8A 24.6W		

充電式リチウム電池パック			
電池品番	P2045-7S1P-BC/P2045-7S1P-BCA/P2045-7S1P-BCB	公称容量	2500mAh
公称電圧	25.2V ---	定格容量	2400mAh
電力量	60.48Wh		

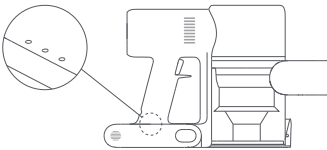



本機には充電式リチウム電池パックが含まれているため、本機の廃棄は環境に影響を与えます。本機を廃棄する前に、電池を取り出して専門の回収機関に処理を依頼してください。

よくある質問

よくある故障	考えられる原因	対処方法
クリーナーが動作しない	製品の電池切れまたは電池残量不足	製品をフル充電してから使用してください
	詰まって過熱したため、自動保護機能が作動	冷却後再起動してください
	吸込口や吸気経路の詰まり	吸込口や吸気経路を清掃してください
吸引力が弱い	ダストカップが満杯、フィルターにゴミが詰まっている	ダストカップのゴミを捨て、フィルターを洗浄してください
	高トルクスマートブラシ、延長管など付属品が詰まったら	高トルクスマートブラシや延長管などの付属品に詰まっている異物を取り除いてください
モーターから異音がする	主吸込口か延長管の詰まり	主吸込口や延長管の異物を取り除いてください
起動すると、番目のステータスランプが赤く点灯する	電池パックの故障	アフターサービスに連絡して修理を依頼してください
充電時に、番目のステータスランプが赤く速く点滅する	電源アダプタの不適合	純正の電源アダプタを使用してください

よくある故障	考えられる原因	対処方法
充電時に、電池状態のステータスランプが点灯しない	本体と電源アダプタ差込口の接触不良	電源アダプタがしっかりと差し込まれているか確認してください
	フル充電されたため、電池が休眠状態に入っている	正常に使用可能です
	これら二つの原因の可能性を排除しても、問題が解決されない場合は、アフターサービスに連絡して修理を依頼してください。	
充電が遅い	電池の温度が高すぎるまたは低すぎる	電池温度が正常に戻るのを待ってから充電してください

よくある質問

ランプ表示についての注意				
このクリーナーは運転中に異常が発生すると停止し、電源ランプが白く点滅します。故障の原因と対処方法は下記の表をご確認ください。				
				
本体のステータス	ランプ表示	ディスプレイのステータス	故障の原因	対処方法
クリーナーが作動しなくなった。		1つ目のステータスランプが点滅します (5 秒間)。	電池切れ	速やかに充電してください。
		1つ目と2つ目のステータスランプが同時に点滅します (5 秒間)。	ローラーブラシが絡まっています	お手入れとメンテナンスの【高トルクスマートブラシの清掃】を参照して、回転ブラシに絡みついた繊維物質や毛髪を取り除いてください。
		3つのステータスランプが同時に点滅します (5 秒間)。	ホースつまり	ダストカップ、延長管、高トルクスマートブラシが詰まっていないかを確認してください。

주의사항

본 제품은 가정용입니다. 제품 사용 전에 본 설명서를 자세히 읽고 올바르게 보관해 주십시오.

본 제품을 신체, 감각기관 혹은 지적 장애가 있는 사람이나 관련 경험 및 지식이 없는 사람 (어린이 포함) 이 사용할 경우 안전한 사용을 위해서 반드시 보호자의 감독이나 지도 하에 사용해 주십시오. 어린이가 제품을 조작하거나 장난감으로 사용하지 않도록 하십시오. 또한 어린이 근처에서 제품을 사용할 때에는 주의해 주시고 어린이가 보호자 없이 제품을 세척하거나 보수하지 않도록 하십시오. 최대한 실내의 건조한 바닥 청소에 사용해 주시고 야외나 욕실 또는 수영장 주위에 본 제품을 설치하거나 충전 및 사용하지 마십시오.

기기는 기기와 함께 제공된 전원 공급 장치로만 사용할 수 있습니다.

젖은 손으로 전원 코드 또는 제품의 모든 부분을 만지지 마십시오.

발화, 폭발 또는 부상을 방지하기 위해 사용 전에 리튬 배터리 및 전원 어댑터의 손상 여부를 점검하십시오.

리튬 배터리 또는 전원 어댑터가 손상된 경우 청소기를 사용하지 마십시오.

고토크 브러시, 미니 전동 브러시, 배터리, 연장봉 및 청소기 본체는 모두 전기 부품으로 물에 담그거나 기타 액체를 사용해 세척하지 마십시오. 일상적인 세척 후 모든 필터는 완전히 건조한 후 사용해 주십시오.

고토크 브러시 및 미니 전동 브러시를 청소할 때에는 사용자가 회전 브러시로 인해 상해를 입지 않도록 본체의 전원을 꺼 주시고, 고토크 브러시, 먼지통, 그리고 필터가 장착되지 않은 상태에서는 본 제품을 사용하지 마십시오.

모델 번호 BLJ24W308080P-V 인 배터리만 사용해 주십시오.

주의사항

모델 번호 P2045-7S1P-BC/P2045-7S1P-BCA/P2045-7S1P-BCB/P2046-7S1P-BC/P2046-7S1P-BCA 인 배터리만 사용해 주십시오.

전원 어댑터 또는 리튬 배터리가 손상된 경우 제조업체 또는 A/S 부문에서 전용 부품을 구매하여 교환해 주십시오.

제품을 사용해 물, 휘발유 등과 같은 가연성 또는 폭발성 액체를 흡입하지 마시고 염소 표백제, 암모니아, 하수도 클리너 또는 기타 액체와 같은 독성 용액을 흡입하지 마십시오.

석고 보드 가루, 벽난로의 재를 흡입하지 마시고 숯, 담배꽂초 또는 성냥과 같은 연기가 나거나 연소 물질을 흡입하지 마십시오.

유리, 못, 나사, 동전과 같이 날카롭거나 단단한 물건을 흡입하지 마십시오. 청소기가 손상될 수 있습니다.

제품의 기류 통로와 움직이는 부분에 모발이나 헐렁한 복장, 손가락 및 몸의 다른 부분을 가까이 하지 마시고, 청소기 먼지 흡입구, 연장봉 또는 기타 부속품에 눈, 귀, 또는 입을 대지 마십시오.

흡입구에는 어떠한 물건도 놓지 마십시오. 흡입구가 막힌 상태에서는 청소기를 사용하지 마십시오. 먼지, 먼봉, 머리카락 또는 기타 물건으로 인해 공기 흐름이 약해질 수 있으니 바로 청소해 주십시오.

청소기 손상 또는 사용자의 부상 사고를 방지하기 위해 청소기를 의자, 식탁과 같은 불안정한 표면에 놓지 마시고, 청소기가 넘어지거나 손상되거나 이상이 발생한 경우 임의로 분해하지 마시고 공식 수리점에 문의해 주십시오.

배터리는 설명서 지침을 엄격히 준수하여 충전하십시오 지정된 온도 범위 내에서 올바르게 충전하지 않으면 배터리가 손상될 수 있습니다.

제공된 충전기를 사용하여 0°C 에서 40°C 사이의 충전 온도에서 충전해 주십시오. 그렇지 않으면 배터리

에 고장이 발생할 수 있습니다.

진공 청소기를 사용하기 전에 먼지칸 필터, 프리필터, 사이클론 어셈블리 및 필터를 전부 올바르게 설치해야 합니다.

장기간 미사용, 유지 보수 또는 수리 전에 플러그를 뽑아 주십시오.

제품을 사용하여 계단을 청소할 때는 각별히 주의하십시오.

화재 위험 경고: 본 제품의 필터에는 어떤 향료 제품도 도포하지 마십시오. 해당류 제품의 화학 물질에는 가연성 물질이 포함되어 있어 화재가 발생할 수 있습니다.

배터리를 사용하지 않을 때에는 클립, 동전, 열쇠, 못 또는 나사와 같은 금속 물체와 가까이 두지 마십시오.

배터리 단자가 단락될 경우 화재 또는 연소의 위험이 증가할 수 있습니다.

악조건 상황에서는 배터리에서 액체가 분출될 수 있습니다. 액체와 접촉하지 않도록 주의하십시오. 인체에 자극적이거나 화상의 위험이 있습니다. 액체와 접촉한 경우 흐르는 물에 씻어 주십시오. 액체가 눈에 닿은 경우 의사와 상담하십시오.

배터리 및 기기에 화재가 발생하지 않도록 주의하십시오. 폭발 사고가 발생할 수 있습니다.

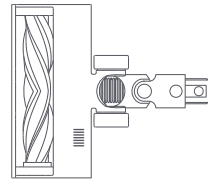
배터리 및 제품을 물, 염수 또는 기타 액체에 노출시키거나 담그지 마십시오.

설명서 안내에 따라 본 제품을 사용해 주십시오. 부적절한 사용으로 인한 손실은 본인 이 부담해야 합니다.

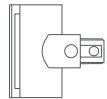
자세한 전자 설명서는 www.mi.com/global/service/userguide 에서 확인하십시오.

제품 소개

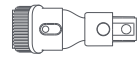
부품 리스트



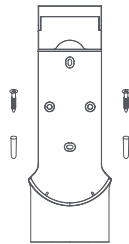
고토크 브러시



미니 전동 브러시



2-in-1 브러시



충전 및 보관 2-in-1 브라켓
(나사 x2, 양카 x2, 위치 스티커 포함)



틈새 흡입기

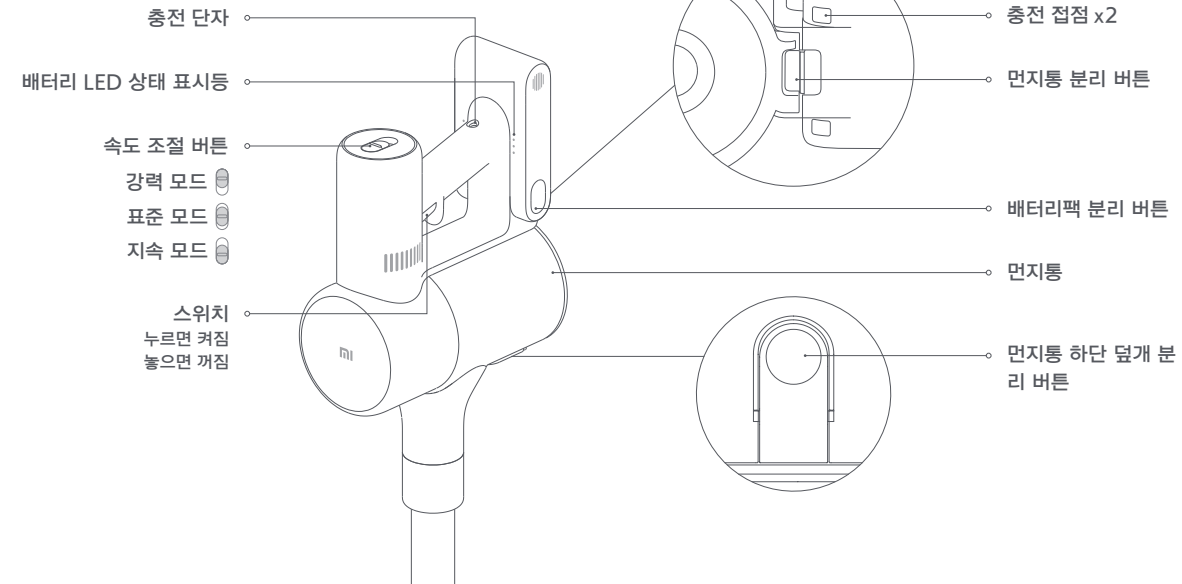
연장봉



전원 어댑터

참고 : 설명서상의 제품, 액세서리, 사용자 인터페이스 등의 이미지는 참고용입니다. 제품 업데이트 및 업그레이드로 인해 실제 제품 및 회로도와 약간의 차이가 있을 수 있습니다. 실제 제품을 참조하십시오.

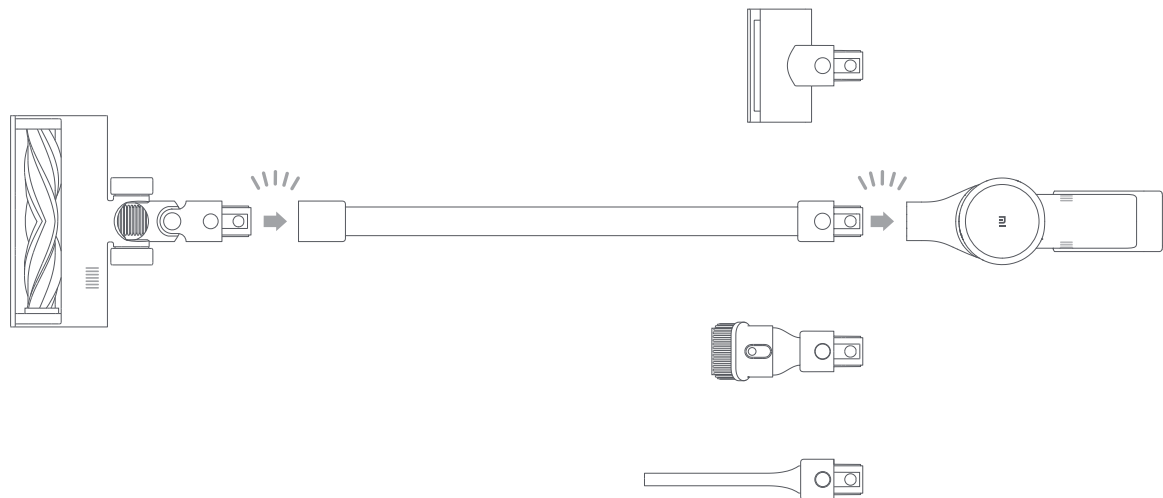
부품 이름



설치

본체와 부속품 설계도

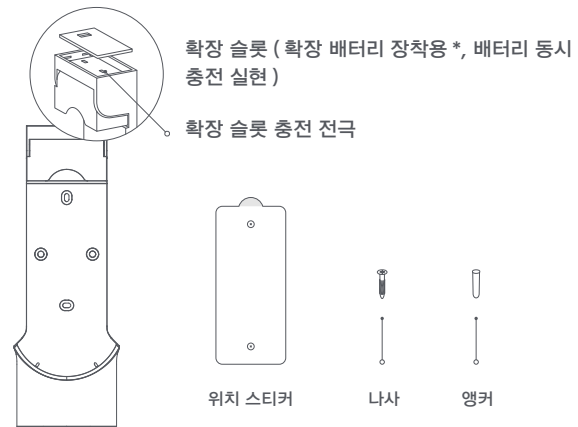
\\\\\\\\ 딸깍



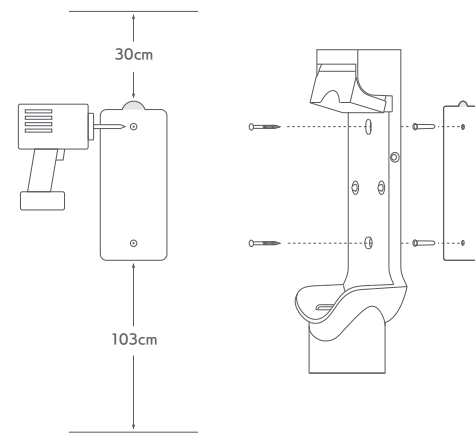
참고 : 미니 전동 브러시는 연장봉과 연결하여 사용하는 것을 권장하지 않습니다.

충전 및 보관 2-in-1 브라켓 설치

1. 브라켓 설치 위치는 전원 주변의 서늘하고 건조한 곳을 선택하여 주시고 정면에 케이블이나 도관 등의 시설물이 없는 곳에 설치해 주십시오.
2. 위치 스티커는 벽에 지면과 평행이 되도록 붙여 주시고, 스티커 하단과 지면이 103cm 이상 떨어져 있고 상단 30cm 이내에 방해물이 없는 곳에 붙이는 것을 권장합니다.



3. 8mm 의 드릴을 사용하여 위치 스티커의 홀 상에 구멍을 뚫어 주시고 앵커를 구멍 안에 넣어줍니다.
4. 보관 브라켓의 설치 홀과 스티커 홀을 잘 맞춘 후 나사를 사용해 보관 브라켓을 벽에 고정합니다.



권장 설치 높이 : 스티커 하단과 지면 거리 103cm 이상

충전

배터리 LED 상태 표시등

○ 꺼짐 ☀ 깜박임 ● 켜짐

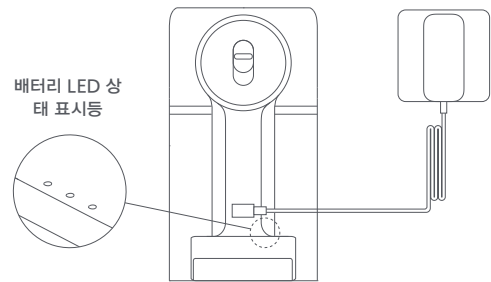
☀ ○ ○ 배터리 부족

● ☀ ○ 배터리 중간

● ● ☀ 잠시 후 충전 완료

● ● ● 충전 완료

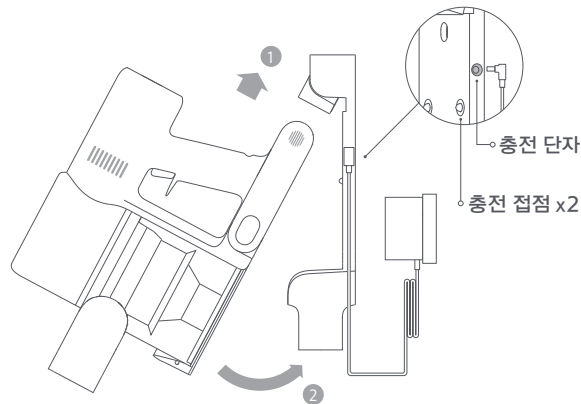
충전이 완료되고 5분 후 표시등이 꺼지면서 절전 모드로 진입



전원 어댑터 직접 충전

참고:

- 첫 사용 시 완충한 후 사용해 주시고, 완충까지는 대략 3.5 시간 정도가 소요됩니다.
- 충전 중에는 청소기를 사용하지 않습니다.
- 강력 모드에서 오래 사용할 경우 배터리의 온도가 높아질 수 있습니다. 이때 충전 시 충전 시간이 늘어날 수 있으니, 본체를 30분 간 식힌 후 재충전할 것을 권장합니다.



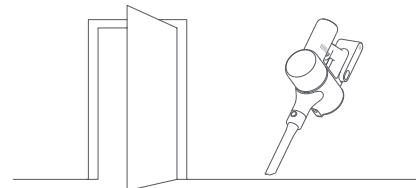
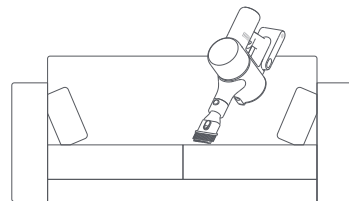
브라켓 충전

사용

부품의 사용예시

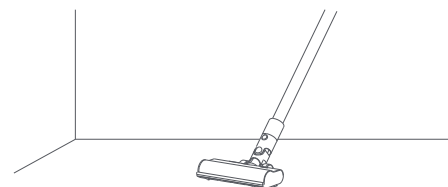
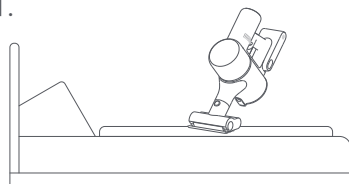
2-in-1 브러시: 커튼, 소파, 차량 내부, 테이블 등의 먼지 청소 시.

틈새 흡입기: 문틀 및 창틀, 벽 구석, 계단 등 좁은 틈 청소 시.



미니 전동 브러시: 소파, 침구 등 패브릭 청소 및 동물 털, 깊은 속 먼지 청소 시.

고토크 브러시: 바닥, 대리석, 타일, 카펫 등 지면 청소에 적합합니다.



참고:

- 항상 정품 부품을 사용해 주십시오. 비정품을 사용하는 경우 A/S 품질 보증을 받지 못할 수 있습니다.
- 필터, 연장봉, 고토크 브러시 등이 막히는 경우 청소기가 여러 번 작동과 멈추기를 반복하다가 작동이 중지됩니다. 청소기를 청소한 후 다시 사용해 주십시오.

참고: 고토크 브러시는 본체에 직접 연결해서도 사용할 수 있습니다.

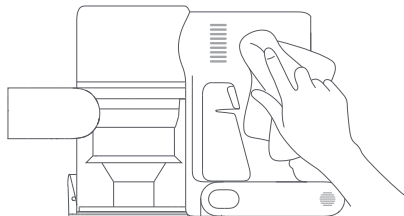
유지 관리 및 유지 보수

제품 유지 보수 주의사항

- 항상 정품 부품을 사용해 주십시오. 비정품을 사용하는 경우 A/S 품질 보증을 받지 못할 수 있습니다.
- 필터, 연장봉, 고토크 브러시 등이 막히는 경우 청소기가 여러 번 작동과 멈추기를 반복하다가 작동이 중지됩니다. 청소기를 청소한 후 다시 사용해 주십시오.
- 장시간 동안 사용하지 않을 때는 청소기를 완전히 충전하고 전원 어댑터를 분리한 후 서늘하고 건조한 장소에 보관하시고 직사광선이나 습기에 노출되지 않도록 주의해 주십시오. 배터리가 과방전되지 않도록 적어도 3 개월에 한 번 이상 충전해 주십시오.

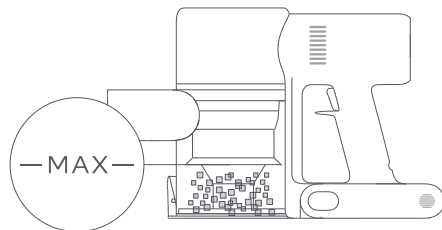
본체 청소

부드럽고 마른 천으로 본체를 닦아 주십시오.

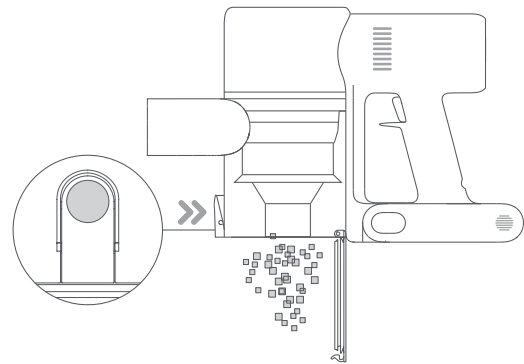


먼지통, 전면 필터 및 사이클론 시스템 부품 청소

1. 먼지가 "MAX" 표시에 도달한 상태에서 계속 사용하면 진공 효과에 영향을 미칠 수 있습니다. 깨끗이 청소한 후 사용해 주십시오. 먼지통을 청소하기 전 전원 어댑터가 분리되어 있는지 확인해 주시고 실수로 버튼을 만져 청소기가 작동되지 않도록 주의하십시오.

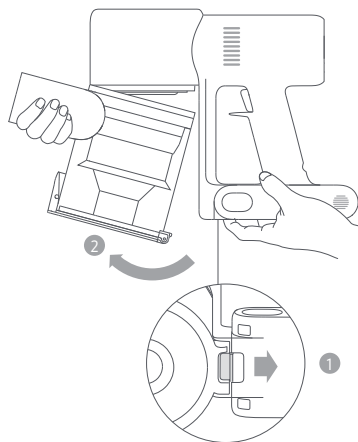


2. 화살표 방향으로 먼지통 하단 덮개 분리 버튼을 누르면 먼지통 하단 덮개가 열리고 먼지통 안에 있는 먼지를 비울 수 있습니다.



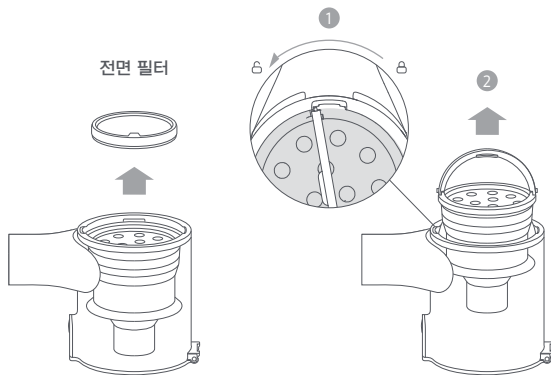
유지 관리 및 유지 보수

3. 그림①과 같이 화살표 방향으로 먼지통 하단에 있는 먼지통 분리 버튼을 밀면 그림②와 같이 먼지통이 분리됩니다.



먼지통 분리 버튼

4. 먼저 전면 필터를 분리하고 부품 손잡이를 당긴 상태에서 시계 반 방향으로 움직이지 않을 때까지 돌려준 후 사이클론 시스템 부품을 들어 올려 줍니다.



전면 필터

5. 흐르는 깨끗한 물로 전면 필터, 사이클론 시스템 부품, 먼지통을 깨끗하게 씻어줍니다. 깨끗하게 씻은 후 완전히 건조될 수 있도록 햇볕에서 24 시간 이상 말려줍니다.



전면 필터

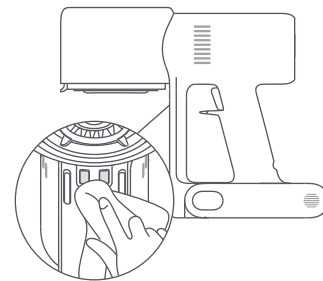
사이클론 시스템 부품

먼지통

참고 :

- 먼지통은 1 개월에 한 번 이상 세척하는 것을 권장합니다.
- 전면 필터와 사이클론 시스템 부품은 3~4 개월에 한 번 이상 세척하는 것을 권장합니다.

전도 접촉 부분이 오염된 경우 부드럽고 마른 천으로 닦아 주십시오.



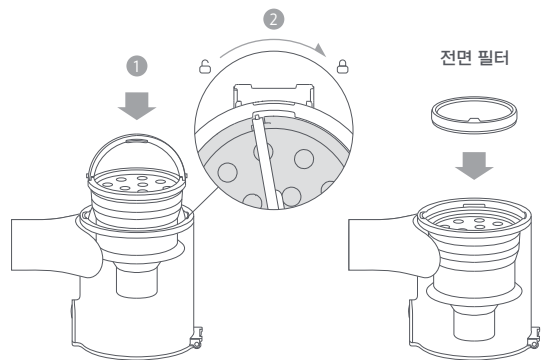
참고 :

- 세정제, 광택제 또는 공기 정화제를 사용하여 먼지통을 세척하지 마십시오.
- 먼지통, 전면 필터, 사이클론 시스템 부품을 식기 세척기 및 세탁기에 넣어 세척하거나 회전식 건조기, 오븐, 전자레인지 속 또는 불 가까이에서 건조하지 마십시오.

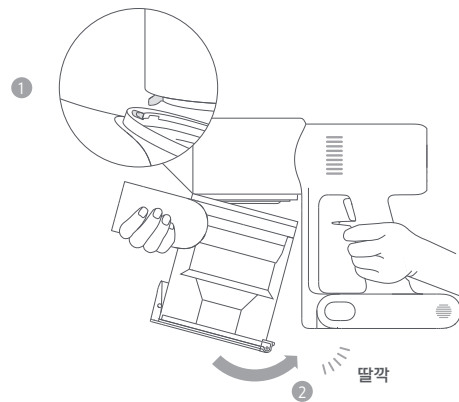
유지 관리 및 유지 보수

먼지통, 전면 필터 및 사이클론 시스템 부품 장착

1. 사이클론 시스템 부품을 수직으로 먼지통 안에 넣지 마시고 (부품 손잡이와 먼지통 흡 왼쪽이 맞춰지지 않도록 주의) 시계 방향으로 움직이지 않을 때까지 돌린 후 손잡이를 놓아 줍니다.
2. 전면 필터의 정면을 위로하여 사이클론 시스템 부품에 넣어 줍니다.



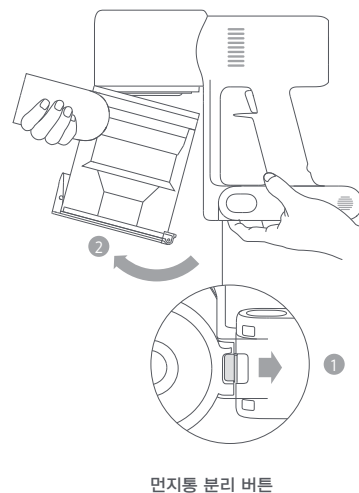
3. 먼지통을 약간 기울여 본체 흡과 먼지통 흡을 잘 맞추고 화살표 방향으로 먼지통을 "딸깍" 소리가 날 때까지 가볍게 밀어주면 장착됩니다.



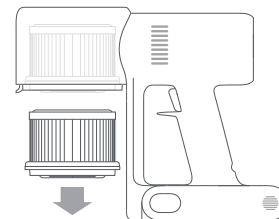
필터 청소

참고 : 4-6 개월에 한 번씩 필터를 청소하시는 것이 좋습니다.

1. 그림과 같이 먼지통을 분리합니다.



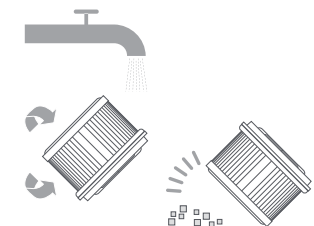
2. 필터를 그림에 표시된 방향대로 아래로 당겨 진공 청소기에서 제거합니다.



3. 깨끗한 물로 필터를 청소하십시오. 필터를 360° 회전시켜 필터에 걸린 모든 먼지를 완전히 제거하십시오. 필터를 여러 번 가볍게 두드려 여분의 먼지를 제거하십시오.

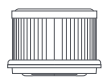
참고 :

- 세제를 넣지 않은 깨끗한 물로 세척하십시오.
- 브러시나 손가락으로 필터를 청소하지 마십시오.



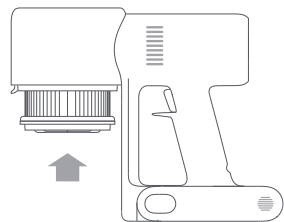
고토크 브러시 청소

4. 필터를 최소 24 시간 동안 완전히 건조시키십시오.

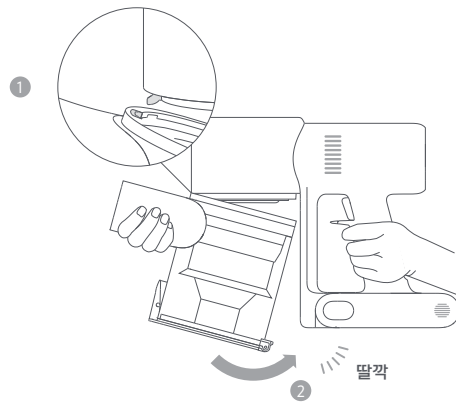


필터 설치

1. 그림과 같이 필터를 진공 청소기에 끼우고 부드럽게 누릅니다.

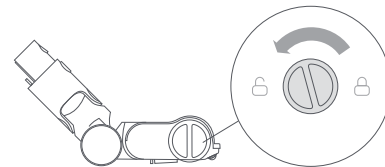


2. 먼지통을 장착합니다.

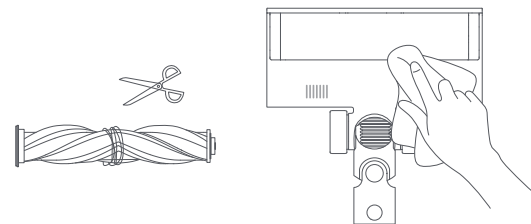


고토크 브러시 청소

1. 그림과 같이 잠금부를 시계 반대 방향으로 움직이지 않을 때까지 돌려 롤러를 브러시에서 분리합니다.



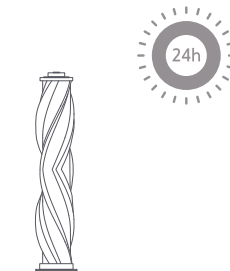
2. 청소 칼로 롤러에 감긴 머리카락 및 섬유 물질을 빼내고 잘라냅니다. 부드러운 천이나 휴지로 흡과 투명판에 있는 먼지를 닦아 줍니다.



3. 장시간 사용하여 롤러가 더러워진 경우 물로 세척할 수 있습니다.



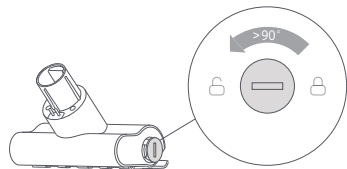
4. 건조 시 롤러를 세로로 세워 완전히 건조될 수 있도록 햇볕에서 24 시간 이상 말려줍니다.



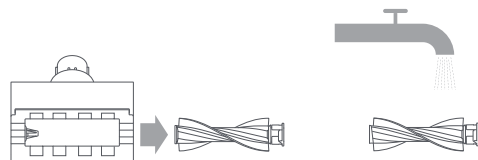
유지 관리 및 유지 보수

미니 전동 브러시 청소

1. 그림과 같이 동전을 사용하여 "딸깍" 소리가 날 때까지 잠금장치를 시계 반대 방향으로 돌려줍니다.



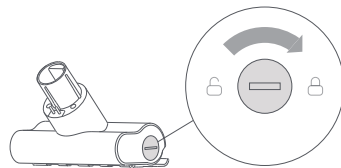
2. 잠금장치가 해제되면 롤러를 미니 전동 브러시에서 분리하여 흐르는 물에 세척합니다.



3. 건조 시 롤러를 세로로 세워 완전히 건조될 수 있도록 햇볕에서 24 시간 이상 말려줍니다.



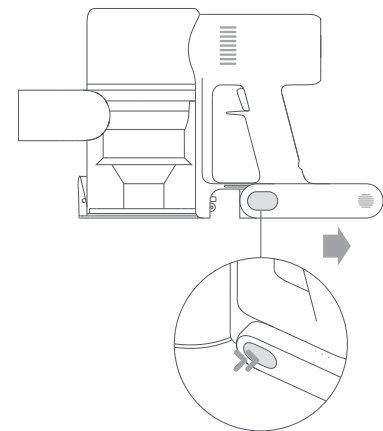
4. 롤러가 완전히 마른 것을 확인한 후, 분해 순서와 반대 순서로 조립합니다.



배터리팩

본 제품의 충전 리튬 배터리팩은 분리 가능하며 쉽게 소모되는 부품입니다. 정확한 충전 후에도 사용 시간이 현저하게 줄어드는 경우 배터리 수명이 다한 것 일 수 있습니다.

1. 배터리 팩 분리 버튼을 누른 상태에서 뒤쪽으로 밀어 배터리팩을 분리합니다.
2. 새로운 배터리팩을 장착합니다.



기본 사양

무선청소기			
제품 모델	MJSCXCQ1T	정격 전압	25.2V ---
충전 전압	30.8V ---	규격 용량	2500mAh
정격 출력	400W	먼지통 용량	0.6L(최대)
충전 시간	약 3.5 시간	제품 순 중량	3.8kg
제품 크기	1286 × 214 × 256mm		

고토크 브러시		미니 전동 브러시	
모델 번호	G9-01	모델 번호	1C-02
정격 출력	40W	정격 출력	20W
정격 전압	25.2V ---	정격 전압	25.2V ---

전원 어댑터			
제조업체	중산시 보리금 전자 유한공사	평균 유효 효율	87.5%
모델	BLJ24W308080P-V	저부하 시 효율 (10%)	77.9%
입력	100-240V~50/60Hz 0.8A	무부하 전력	0.10W
출력	30.8V --- 0.8A 24.6W		

충전식 리튬 이온 배터리팩			
배터리 모델	P2045-7S1P-BC/P2045-7S1P-BCA/P2045-7S1P-BCB	규격 용량	2500mAh
규격 전압	25.2V ---	정격 용량	2400mAh
용량	60.48Wh		

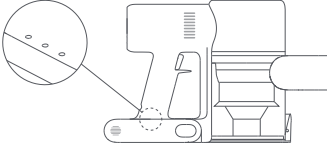
본 기기에는 충전식 리튬 배터리팩이 포함되어 있으며, 이는 폐기 시 환경에 유해합니다. 기기 폐기 전 배터리를 분리하여 전문 회수 업체를 통해 처리해 주십시오.

자주 묻는 질문

자주 보이는 고장	가능한 원인	해결방법
청소기가 작동하지 않습니다.	배터리가 방전 또는 부족한 경우.	제품을 완전히 충전한 후 사용해 주십시오.
	막힘으로 인한 고온으로 자동 보호 기능이 작동한 경우.	온도가 내려간 후 다시 사용해 주십시오.
	흡입구 또는 통로가 막혔습니다.	흡입구 또는 통로를 청소해 주십시오.
제품의 흡입력이 약합니다.	먼지통이 가득 차고 필터에 먼지가 쌓인 경우.	먼지통과 필터를 청소해 주십시오.
	고토크 브러시, 연장봉 등의 부품이 막혔습니다.	고토크 브러시, 연장봉 등의 부품에 끼인 물체를 제거해 주십시오.
모터의 소리가 이상합니다.	주 흡입구 또는 연장봉이 막힌 경우.	주 흡입구 또는 연장봉의 이물질 제거해 주십시오.
작동 시 첫 번째 표시등이 빨간색으로 계속 켜져 있습니다.	배터리팩 손상.	A/S 센터에 연락하여 수리를 진행해 주십시오.
충전 시 첫 번째 표시등이 빨간색으로 빠르게 깜빡입니다.	적합하지 않은 어댑터를 사용한 경우.	정품 전원 어댑터를 사용하십시오.

자주 보이는 고장	가능한 원인	해결방법
충전 중 배터리 상태 표시등이 켜지지 않습니다.	본체 및 어댑터 잭이 연결되어 있지 않은 경우.	전원 어댑터가 연결되어 있는지 확인해 주십시오.
	배터리가 완전히 충전되면 배터리는 절전 모드로 전환되며.	정상적으로 사용할 수 있습니다.
	상기 두 상황을 확인한 후에도 여전히 해당 문제가 해결되지 않는 경우 A/S 센터에 연락하여 수리를 진행해 주십시오.	
너무 느리게 충전됩니다.	배터리 온도가 너무 낮거나 너무 높은 경우.	배터리 온도가 정상으로 돌아올 때까지 기다린 후 다시 충전해 주십시오.

자주 묻는 질문

지시등 효과 안내				
<p>청소기 운행 중 오류 발생 시 작동을 중단하며, 전원 지시등에 흰색 불빛이 깜빡입니다. 아래 표를 참고하여 고장의 원인 및 해결방법을 확인해 주십시오.</p> 				
본체 상태	지시등 효과	상태 표시	고장의 원인	해결방법
청소기 작동이 중지되었습니다.	☀ ○ ○	첫 번째 지시등 깜빡임 (5 초 지속).	배터리 매우 부족	최대한 빨리 충전해 주십시오.
	☀ ☀ ○	첫 번째, 두 번째 지시등 동시에 깜빡임 (5 초 지속).	롤러 감김	유지 관리 및 유지보수 [스마트 고토크 브러시 청소] 부분을 참고하여 롤러에 끼인 섬유 물질 및 머리카락을 제거해 주십시오.
	☀ ☀ ☀	세 개의 지시등 동시에 깜빡임 (5 초 지속).	덕트 막힘	먼지통, 연장봉, 스마트 고토크 브러시가 막혀있지 않은 지 확인해 주십시오.